

ChelinoBaby®

Chelino

PLATINUM

Stores: ChelinoBaby – Ormonde – JHB
ChelinoBaby – Fourways – JHB
ChelinoBaby – Greenstone – JHB
ChelinoBaby – Menlyn – Pretoria
ChelinoBaby – Kolonnade – Pretoria
ChelinoBaby – Centurion – Pretoria
ChelinoBaby – Gateway – Durban
ChelinoBaby – Online – www.chelinobaby.co.za



Imported for :

ChelinoBaby Group of Companies.

No. 12 Kimberlite Road , Theta Ext 5 ,

Booyens Reserve , JHB , 2091. SA.

Tel: +2711 8352520

Info: info@chelinoplatinum.co.za



ONIDA FLEX TRAVEL SYSTEM

CHELINOBABY GROUP OF COMPANIES.












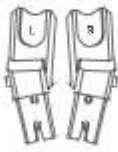
NO. 12 KIMBERLITE ROAD, THETA EXT 5, BOOYSENS RESERVE, JHB, 2091.SA.

Tel: +2711 8352520

www.chelinobaby.co.za



Parts List

<p>A</p>  <p>chassis x1</p>	<p>B</p>  <p>front wheels x2</p>	<p>C</p>  <p>rear wheels x2</p>	<p>D</p>  <p>bumper bar x1</p>
<p>E</p>  <p>seat unit x1</p>	<p>F</p>  <p>harness x1</p>	<p>G</p>  <p>canopy x1</p>	<p>H</p>  <p>apron x1</p>
<p>I</p>  <p>seat liner x1</p>	<p>J</p>  <p>optional extra x1</p>	<p>K</p>  <p>car seat x1</p>	<p>L</p>  <p>adaptors (set) x1</p>

Due to variation on the styles and designs of our products, the photographs and illustrations shown in this manual are generic. Therefore products fabric, colour and design may vary from images shown, Chelino reserves the right to alter products specifications

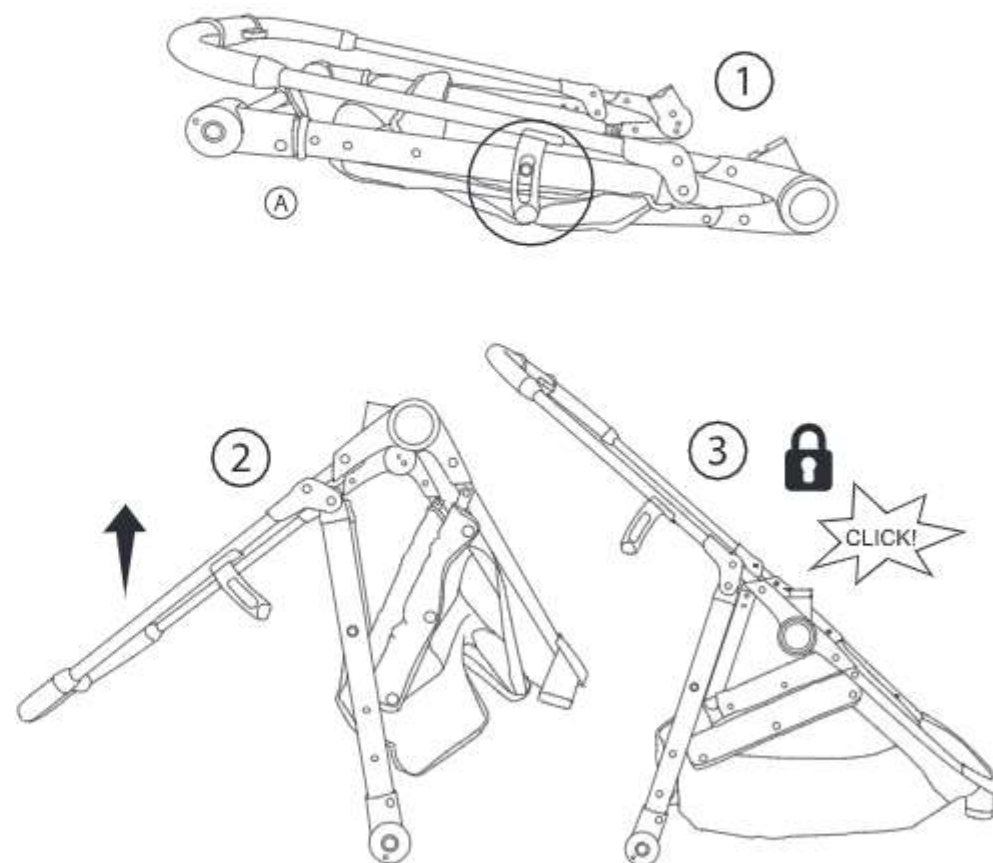
Chassis Assembly

Unpack all contents and check that all parts are present before starting assembly. Please refer to the parts list.

1a. Release the chassis (A) from the locked folded position. Lift the folding latch on the side of the frame.

1b. Lift the handle to open the chassis.

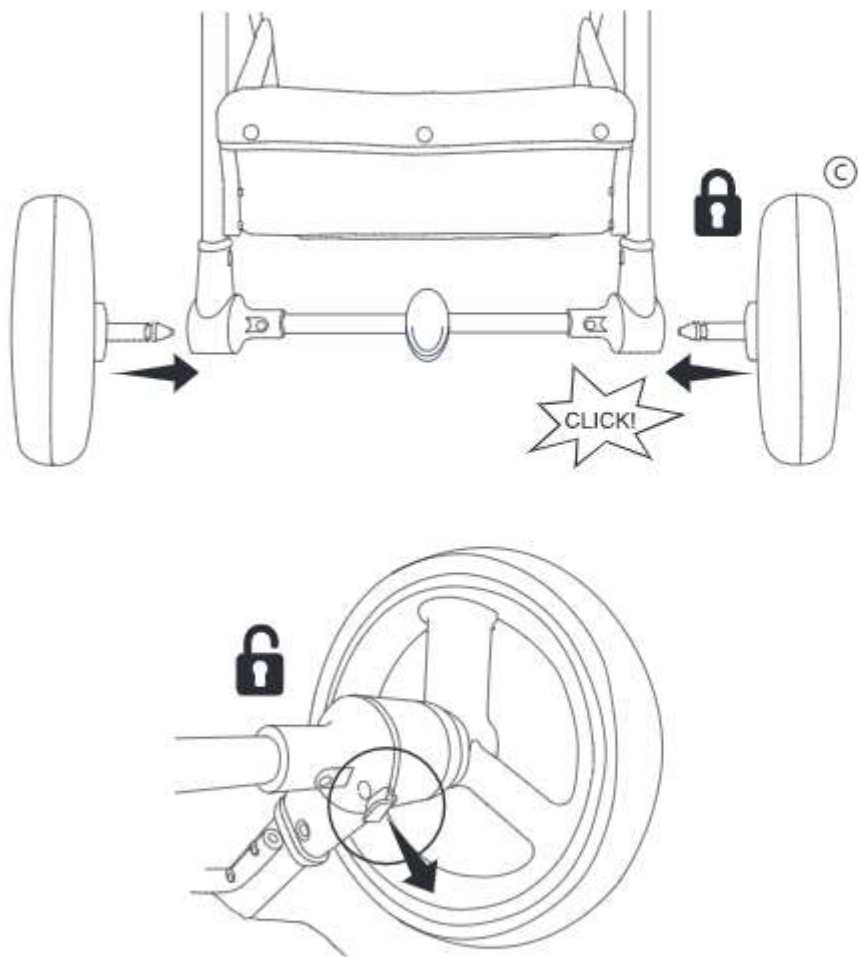
1c. When the chassis is completely open, you will hear a "click" indicating it is locked into place.



Chassis Assembly

2a. Push each rear wheel (C) into the sides of the rear wheel axle until you hear a "click". Give them a tug to ensure they are attached securely.

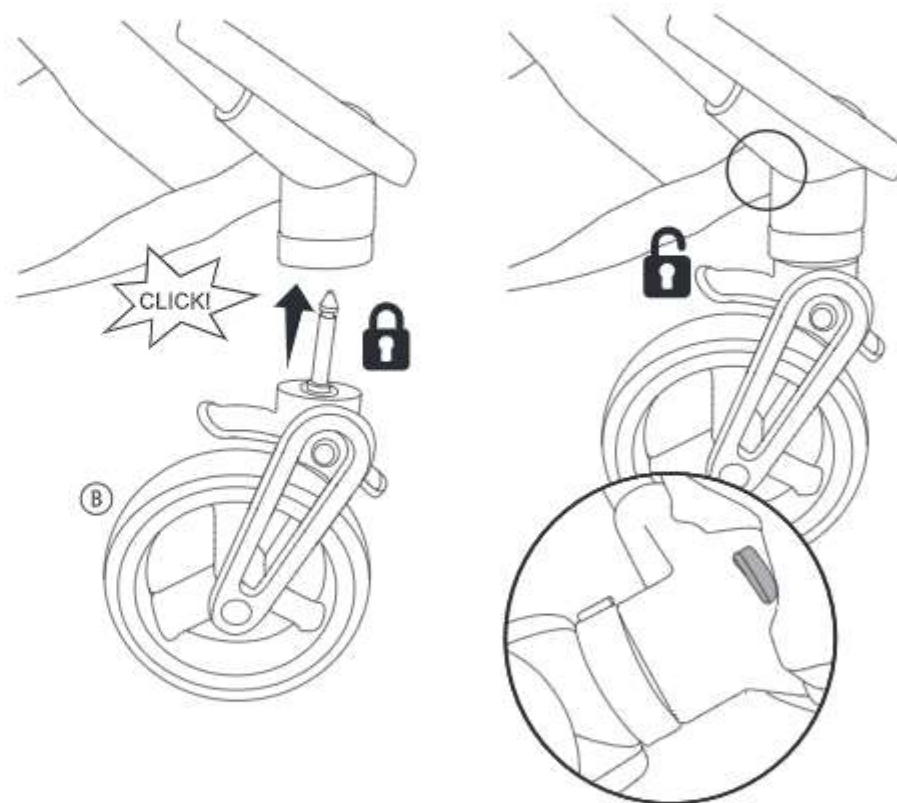
2b. To remove the rear wheels, simply pull out the metal latch located underneath the rear wheel axle and pull the wheel off.



Chassis Assembly

3a. Insert each of the front wheel (B) pins into the center of the socket until you hear a "click". Give each wheel a firm tug to ensure they're securely attached.

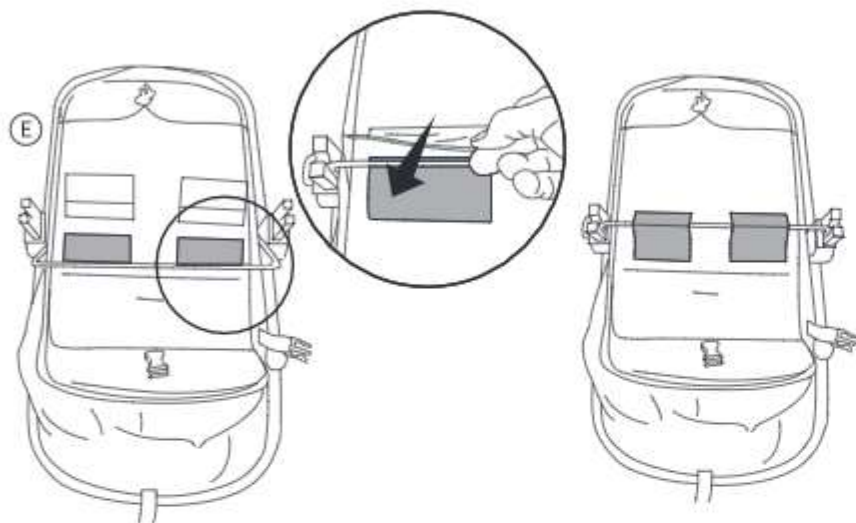
3b. To remove the front wheels, simply press the button at the back of the wheel socket and pull down.



Pram Mode

1. On the rear of the seat unit (E), fasten the hook and loop panels as illustrated.

WARNING! The fabric must cover the metal bracket.

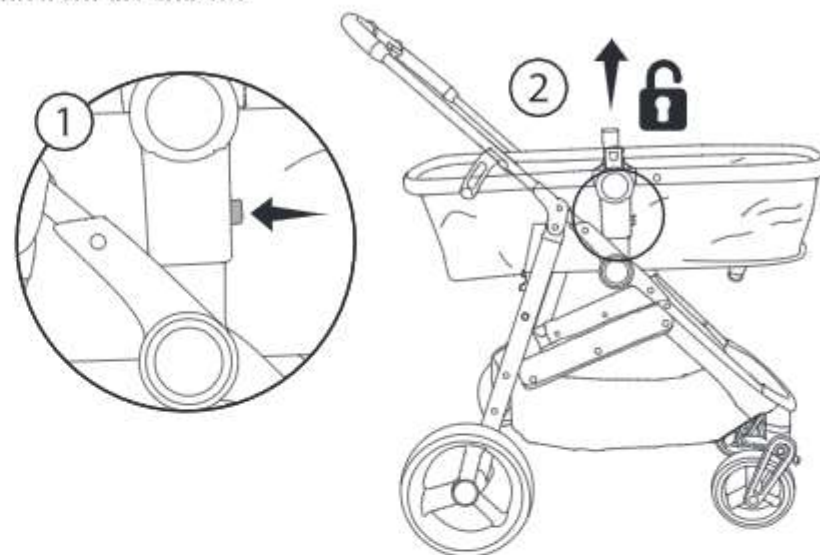


2a. Attach the seat unit to the chassis. Line up the seat connectors with the chassis housing and press downwards. Listen for a "click" to signal correct assembly.



Pram Mode

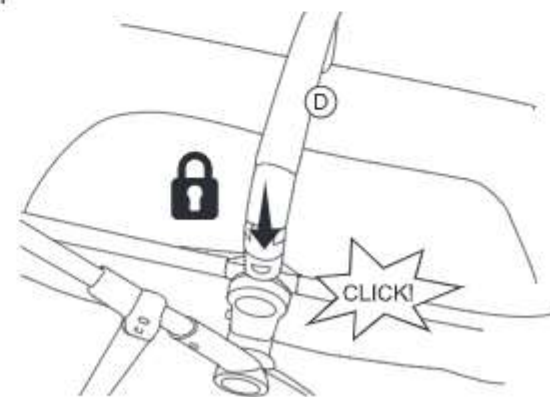
2b. Push the button located both sides of the seat connectors to remove the seat unit from the chassis.



3. Insert the bumper bar (D) into the seat unit slots ensuring that the release buttons are on the outside and you hear a "click".

Give the bumper bar a tug to ensure it's securely in place.

To remove the bumper bar, simply press the release buttons on either or both sides and lift up.



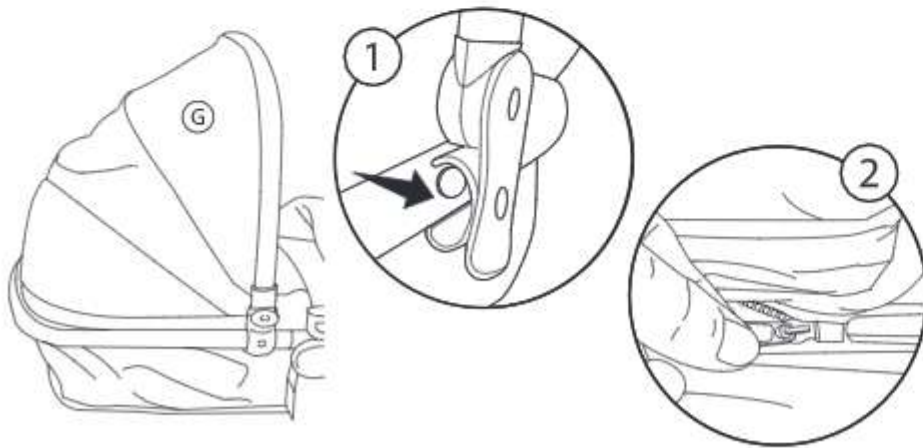
Pram Mode

4. Fasten the apron (H), secure the zip around the side and attach the hook and loop fasteners over the bumper bar.



5a. Attach the canopy (G) to the seat unit. First attach the plastic canopy clips to their respective sides, ensuring that they sit over the small plastic guides located on each side of the seat unit frame.

5b. Next, secure the canopy to the frame with the zip. Start with the right side (when facing the seat).



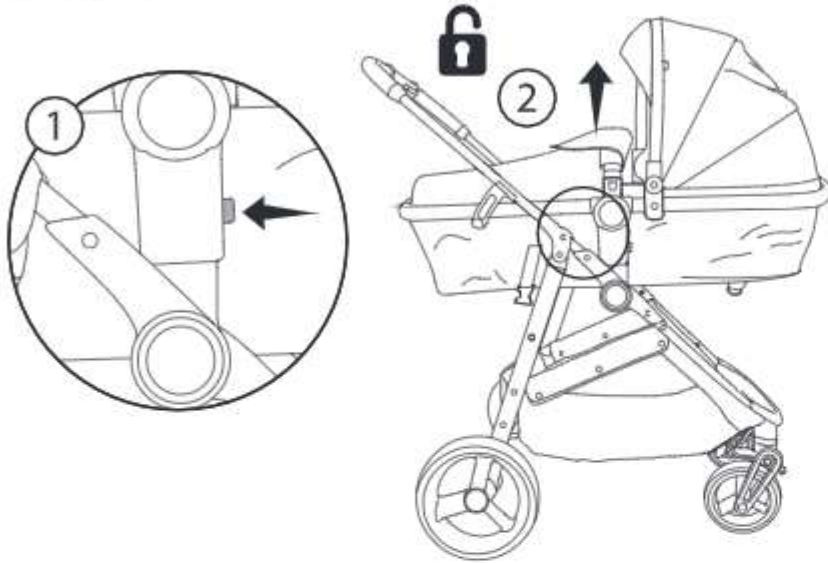
Pram Mode

Suitable from birth in bassinet mode up to a maximum weight of 9kg or until the child can sit up unaided, roll over or push itself up on its hands and knees.
WARNING! Never use in pram mode with seat unit forward facing.



Pushchair Mode

1. Press buttons both sides of the seat connectors to remove the seat unit from the chassis.

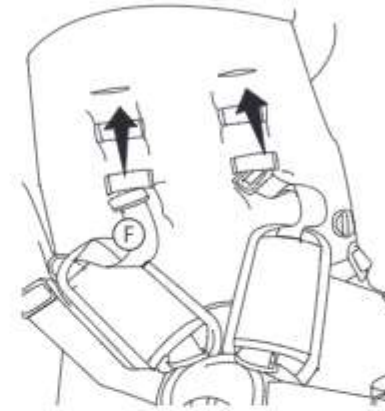


2. Fasten the webbing belts located on the rear side of the seat unit footrest. Listen for the "click" to signal buckles are secure.



Pushchair Mode

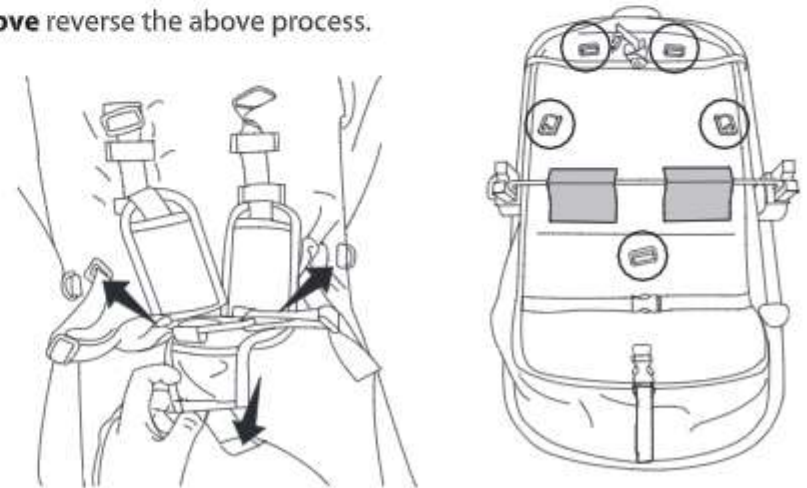
3a. Attach the harness (F) to the seat unit. Thread the shoulder strap retainers under the webbing holders and out through the horizontal slots in the seat unit backrest.



3b. Thread the waist strap retainers through the vertical slots in the seat unit backrest and thread the crotch strap retainer through the horizontal slot at the centre of the seat unit.

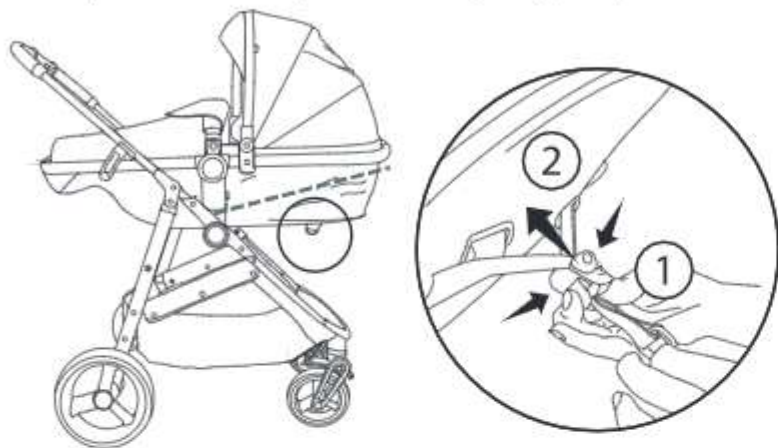
WARNING! Ensure the strap retainers are fully through and secure at the rear of the seat unit.

To remove reverse the above process.

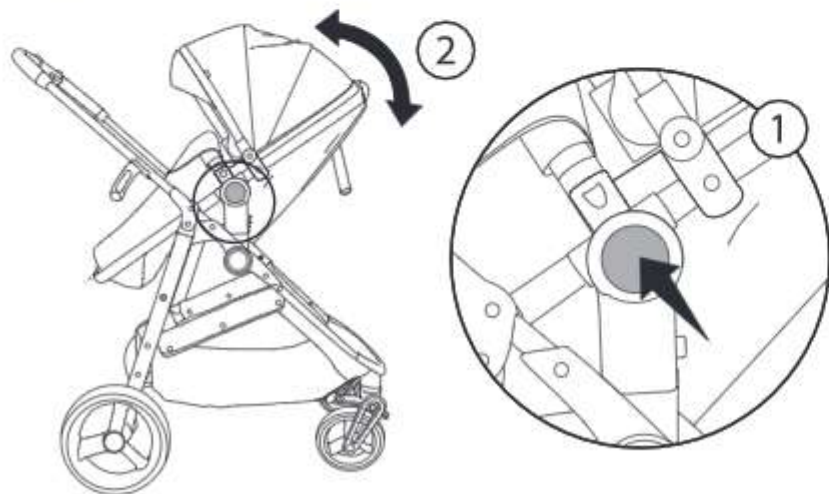


Pushchair Mode

4a. Re-attach the seat unit to the chassis. Locate the backrest adjustment mechanism at the rear of the seat unit. Squeeze the clip on the reclining harness and gently pull up the backrest.

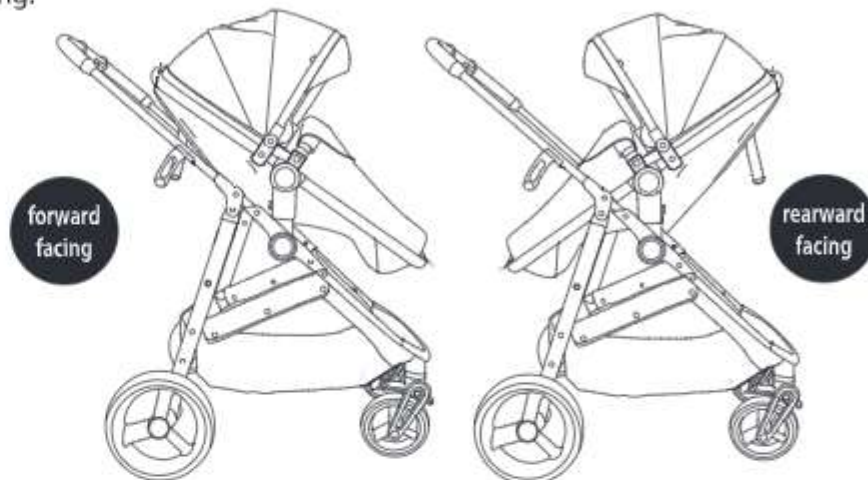


4b. Press buttons both sides of the seat connectors to adjust the seat unit recline. Ensure you hear a "click" as the seat engages at your desired position. **WARNING! The seat unit is not suitable in pushchair mode for children under 6 months.**



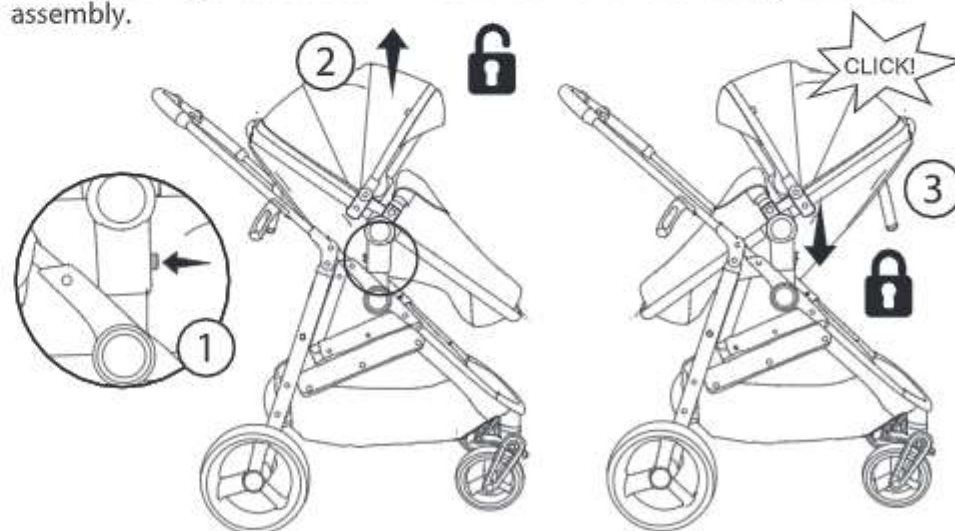
Pushchair Mode

5a. The seat unit is reversible in stroller mode. It can be forward or rearward facing.



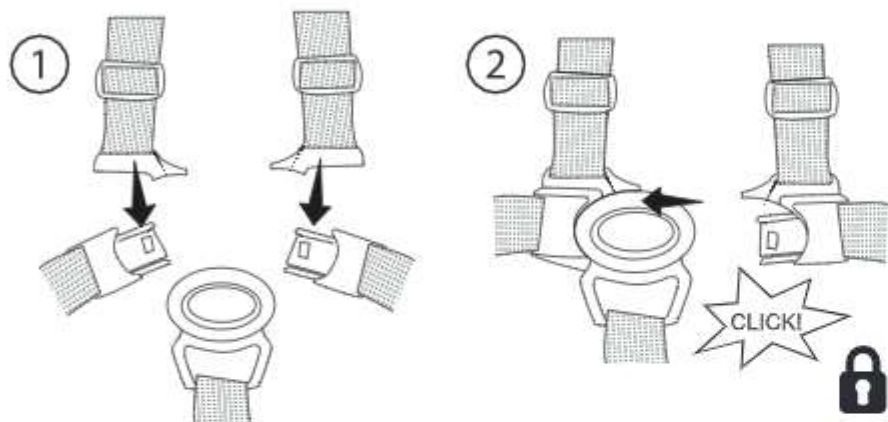
5b. Press buttons both sides of the seat connectors to remove the seat unit from the chassis.

To re-attach the seat unit to the chassis, line up the seat connectors with the chassis housing and press downwards. Listen for a "click" to signal correct assembly.

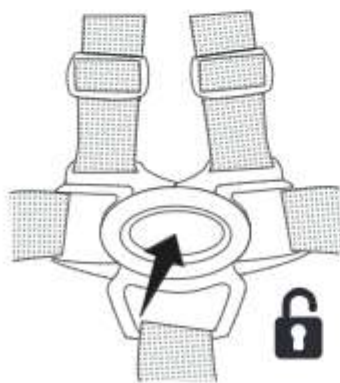


Harness

1. Slide the shoulder strap buckle onto the housing of the waist strap buckle. Repeat for the other side.
2. Insert the completed buckle into the buckle housing until it engages securely in place. Listen for the 'click'. Repeat for the opposite side.

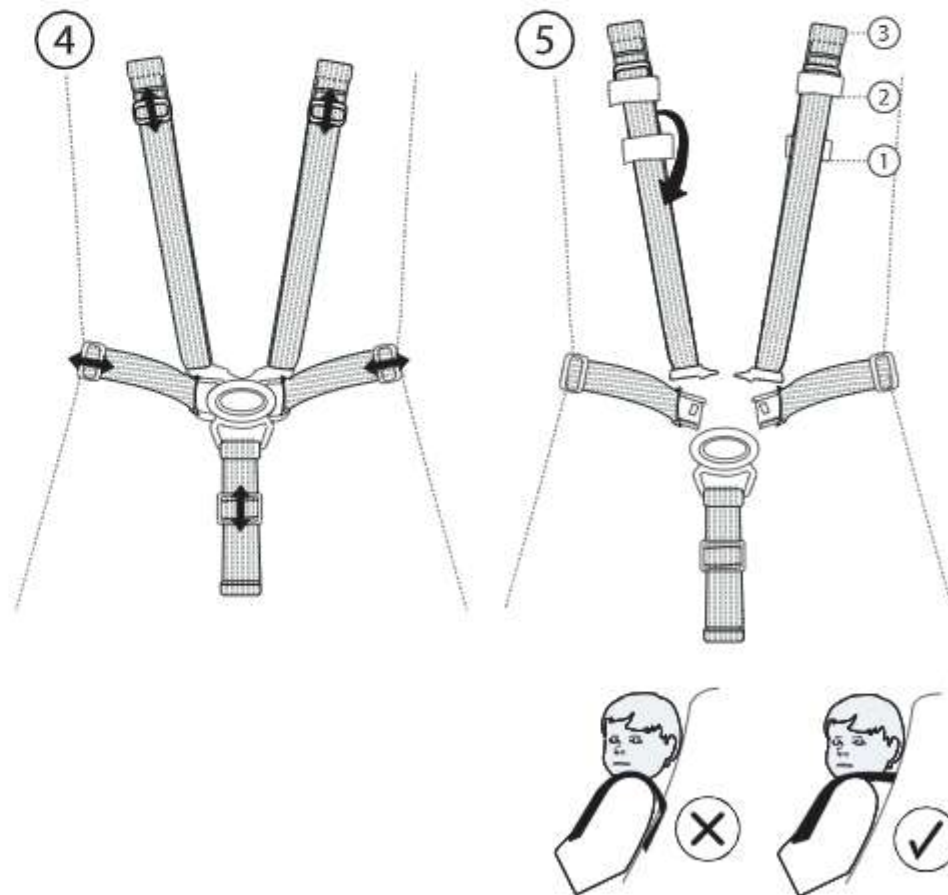


3. Press the centre button to release child from harness.



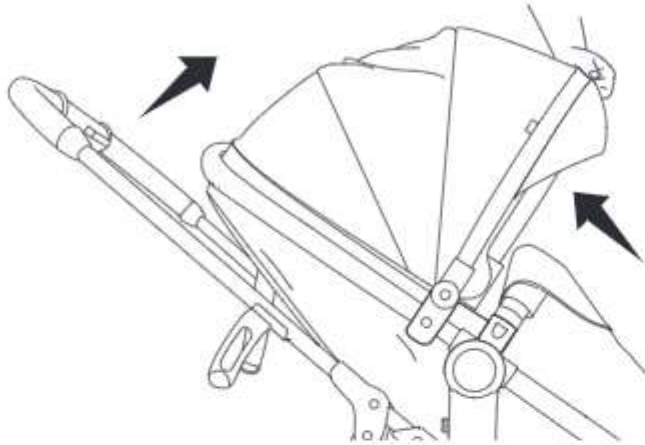
Harness

4. To adjust the shoulder straps, move the slides as shown.
WARNING! Always adjust the harness to fit your child correctly for their comfort and safety. A loose fitting harness can be very dangerous.
5. There are 3 shoulder height positions. Undo the harness and remove the shoulder pads to adjust the shoulder height. Remove harness strap from webbing holders. Redo harness.
WARNING! Always adjust the shoulder strap height according to baby height.

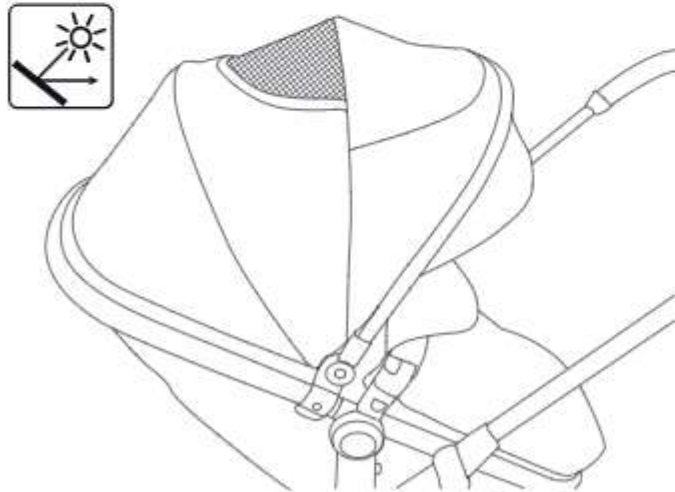


Canopy Adjustment

1. The canopy can be opened or closed by pulling forward or backward on the canopy rim.



2. The canopy features a mesh window for ventilation and to keep an eye on baby in forward facing position.

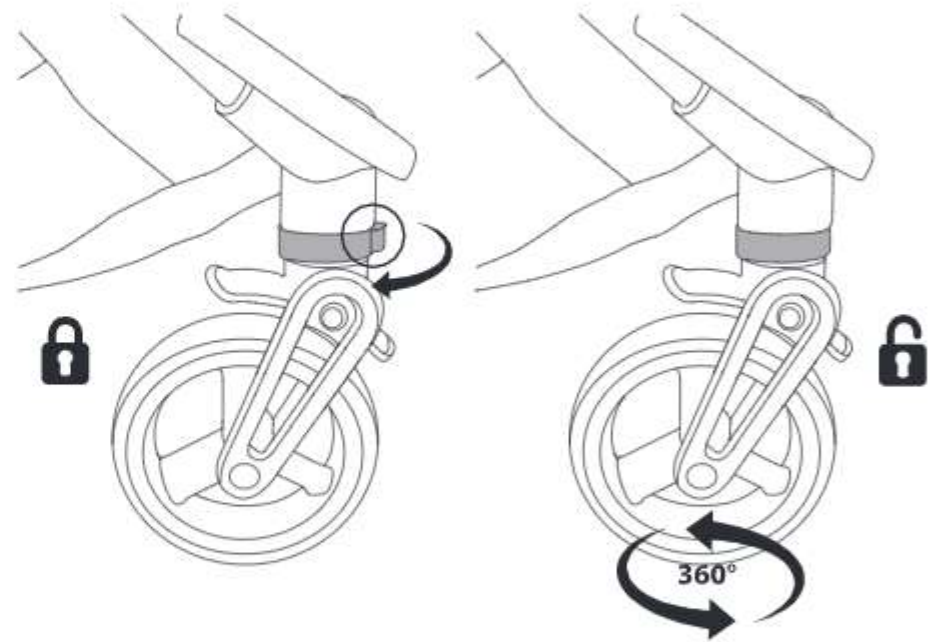


Swivel Wheels

When travelling along straight surfaces or uneven terrain, the front wheels may spin.

To lock the front swivel wheels into place, twist the top of the wheel socket so the notch is towards the front.

To go back to 360° swivel mode, twist top of the wheel socket so the notch is towards the back.



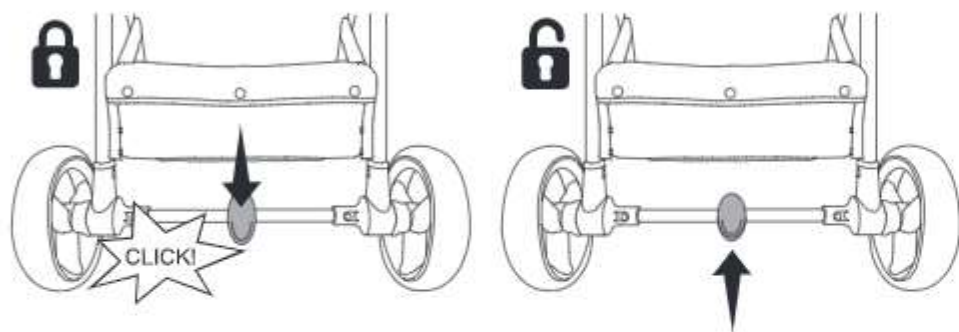
Brakes

Press down on the brake pedal to engage the brake. Listen for the "click" signalling that the brake is locked.

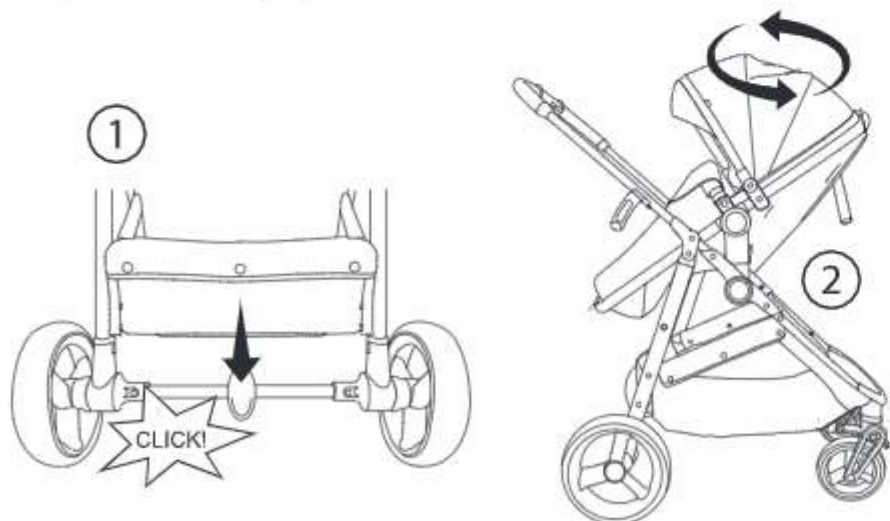
Push the brake pedal upwards to disengage the brake.

WARNING! Always apply the parking brake when the pram is not moving.

WARNING! Always apply the brake when you are placing and removing the child.



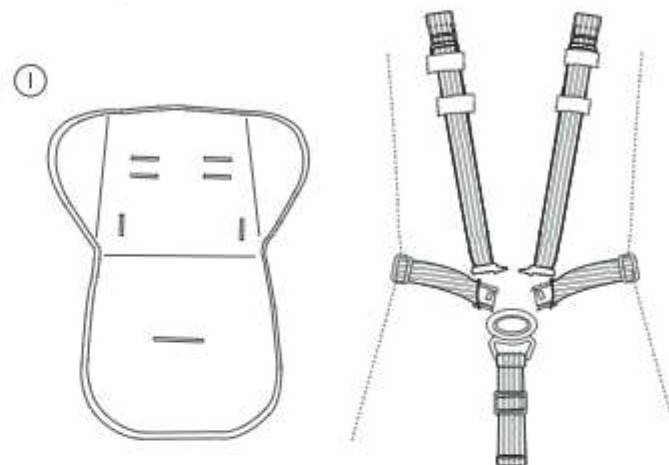
WARNING! Always apply the brake when you are making adjustments to the pram i.e. changing seat direction.



Seat Liner

There is a seat liner (I) included for the seat unit.

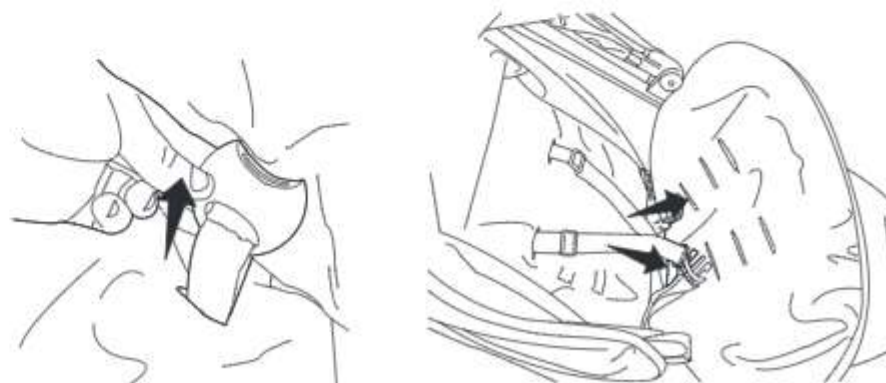
To use the liner in pushchair mode, undo the harness and remove the chest pads and crotch pad.



2. Thread the harness through the slots in the seat liner allocated for the waist, shoulder and crotch straps.

WARNING! Ensure to thread the shoulder harness through the corresponding slot height of the seat unit.

3. Re-attach the chest pads and the crotch pad. Repeat the process to remove the seat liner.



Travel System

A car seat (K) and set of adaptors (L) are included to complete the travel system.

1a. Remove the seat unit from the chassis to fit the adaptors.

Line up the adaptors with the chassis housing and press downwards.

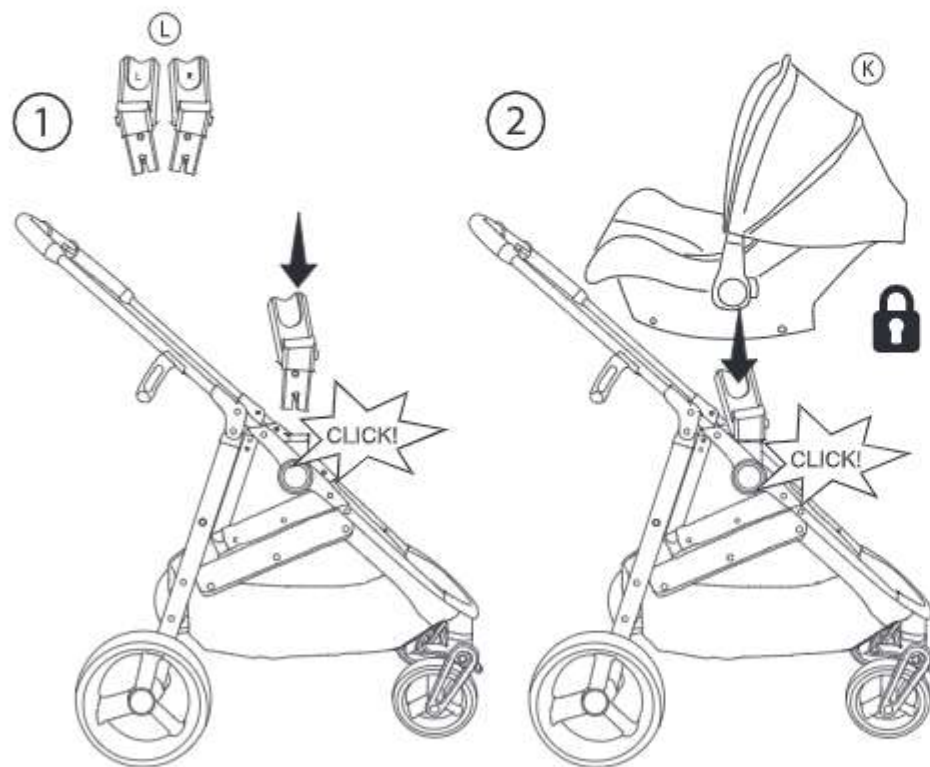
Listen for a "click" to signal correct assembly.

1b. Place the car seat (L) onto the adaptors. Push down to "click" into place.

Lift by handle to ensure car seat is secure.

Alternatively, attach the adaptors to the car seat first and then attach the car seat to the chassis.

WARNING! Never attach the car seat forward facing.

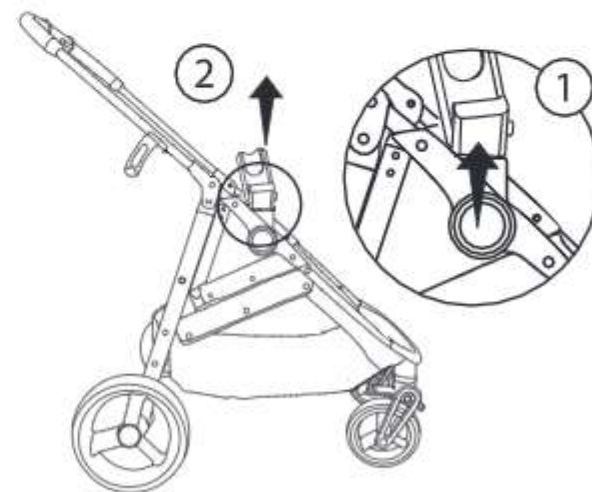


Travel System

2a. Press the button located on the side of the car seat and pull upwards to remove.



2b. Lift lever both sides of the adaptors to remove the adaptors from the chassis.

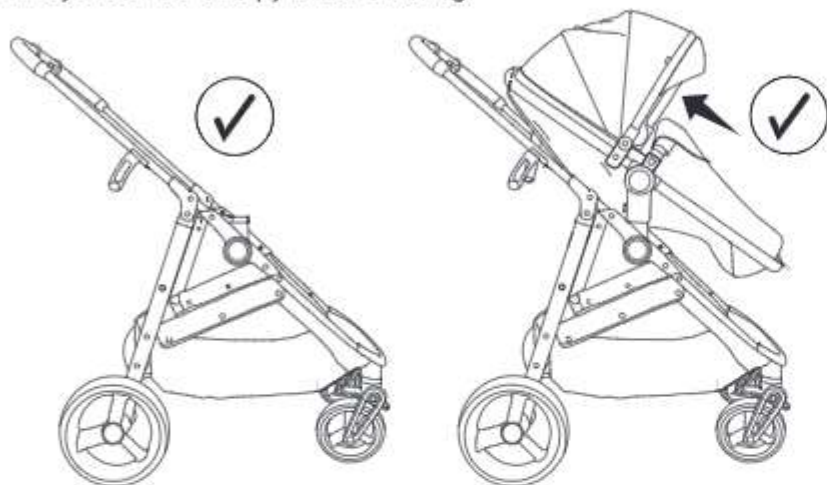


Folding

1a. If folding with the seat unit attached, it must be forward facing. If the seat unit is rearward facing, either remove the seat unit or change to forward facing before folding.

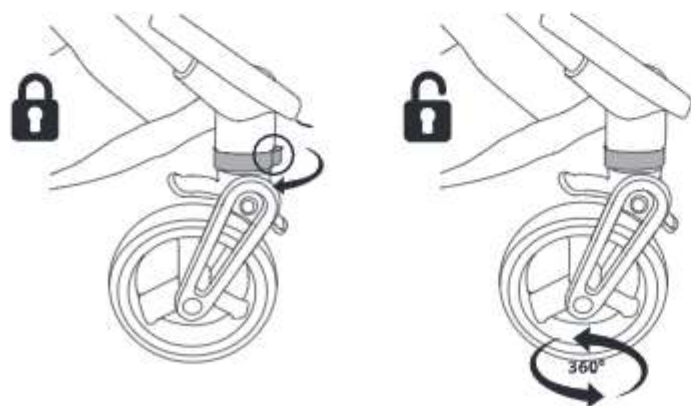
NEVER fold chassis with the car seat attached.

1b. Always fold the canopy before folding.



2. If the swivel wheels are locked, twist the top of the wheel socket so the notch is towards the back.

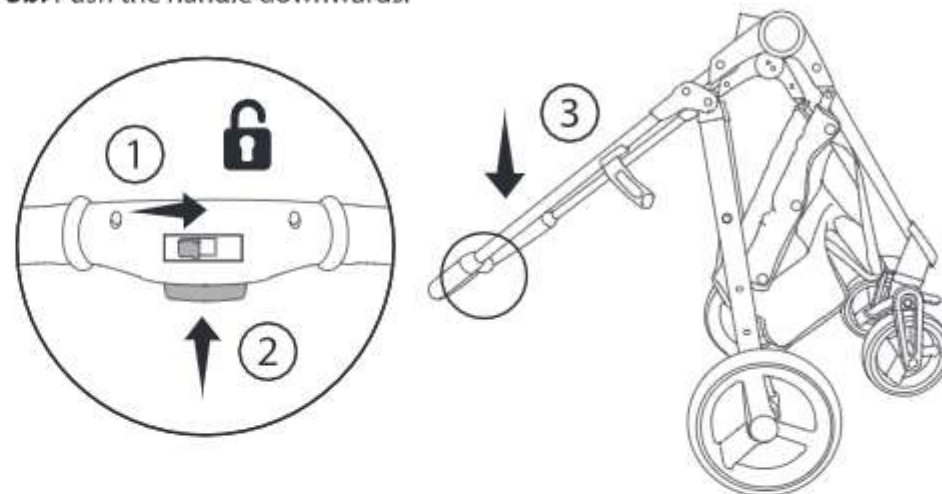
This will ensure the wheels can move and do not touch the bar when the chassis is folded.



Folding

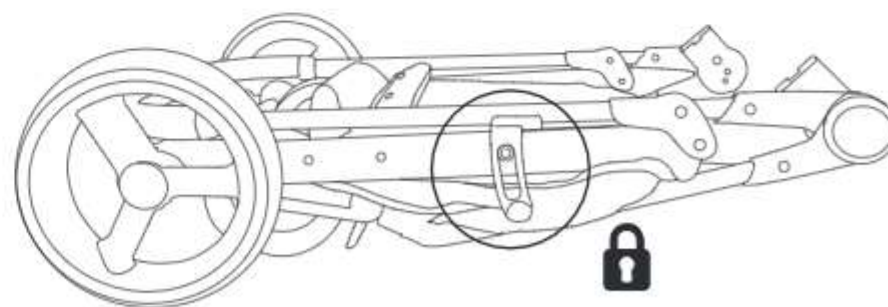
3a. Located on the handle, slide the folding lock button across to the right. At the same time, push up the safety lock.

3b. Push the handle downwards.



4. The locking catch will engage automatically.

WARNING! To avoid injury ensure that your child is kept away when unfolding and folding this product.



Safety

IMPORTANT: **RETAIN FOR FUTURE REFERENCE** **READ CAREFULLY**

WARNING! Read these instructions carefully before assembly and use and keep for future reference. The child may be hurt if you do not follow these instructions.

This product is suitable for one child from birth (max. weight 15kg). Suitable from birth in pram mode up to a maximum weight of 9kg or until the child can sit up unaided, roll over or push itself up on its hands and knees.

Follow suitability recommendations given in the separate infant car seat instruction manual.

WARNING! Follow the manufacturer's instructions.

WARNING! Never leave the child unattended.

WARNING! Ensure all locking devices are engaged before use.

WARNING! To avoid injury ensure that your child is kept away when unfolding and folding this product.

WARNING! Do not let your child play with this product.

WARNING! Not suitable for children under 6 months in pushchair mode.

WARNING! ALWAYS USE THE HARNESS AS SOON AS YOUR CHILD CAN SIT UNAIDED.

WARNING! Always use the crotch strap in combination with the waist belt section of the harness.

WARNING! Check that the pram body or seat unit attachment devices are correctly engaged before use.

WARNING! This product is not suitable for running or skating.

WARNING! Do not let other children play or hang on the product.

WARNING! Do not use this product if any part is broken, torn or missing.

Safety

WARNING! Use the most reclined position for new born babies.

WARNING! Do not add an additional mattress to the pram/pushchair.

WARNING! Do not place the product near an open fire or other source of strong heat.

- Adult assembly is required.
- Do not overload this product with additional children, goods or accessories.
- Bags and other items should not be hung from the handles as this can affect the stability of the product.
- Overloading, incorrect folding and the use of non-approved accessories is unsafe and may damage or break this product.
- Do not use parts or accessories which are not approved by the manufacturer.
- Always apply the parking brake when the product is stationary.
- Ensure the parking brake is engaged during the loading and unloading of children.
- Do not allow your child to climb unassisted into the product.
- Never leave the raincover, hood or apron on indoors, in a hot atmosphere or near a heat source as your child may overheat.
- Be careful when going up or down kerbs.
- Remove your child and fold the product when going up or down escalators.
- If this product is used by someone unfamiliar with it e.g. grandparents, always show them how it works.
- Do not use this product near an open fire or exposed flame.
- Take extra care in windy conditions.
- Infant car seats should not be used in place of a cot or cot bed. Should your child need to sleep then it should be placed in a suitable pram body, cot or cot bed.
- To prevent damage, remove the raincover before folding the pushchair.
- Do not place anything on top of the raincover.
- To prevent your child overheating, always fold or remove the raincover when indoors or in warm environments.
- A basket is provided for the carriage of 2kg of items evenly distributed.

This product conforms to EN 1888-1:2018

Care

Maintenance:

- The product requires regular maintenance to ensure correct and safe performance.
- Regularly inspect the wheels, locks, brakes, harness, catches, seat adjusters, joints and fixings to ensure they are clean, operating correctly and in full working order.
- Replace tyres if they are excessively worn.
- Do not use this product if any part is broken, torn or missing and use only spares provided by the manufacturer.
- If parts become stiff or difficult to operate, ensure dirt is not the cause, then try a light application of a silicon lubricant, ensuring it penetrates between the components. Regular lubrication of moving parts will extend the life of your product and make opening and folding easier.
- Your pram should be serviced and reconditioned before using for a second baby, or within 18 months, whichever is sooner.
- After exposure to damp conditions, dry off with a soft cloth and leave fully open in a warm environment. Storing damp will encourage mildew to form. Store in a dry place.
- Do not leave in sunlight for prolonged periods as some fabrics may fade.

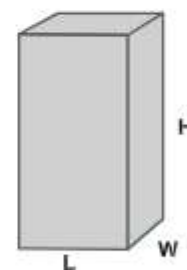
Cleaning:

- Spot or sponge clean fabrics with mild detergent. Use mild soap or upholstery shampoo. Wash separately. NEVER use bleach. Dry in shade thoroughly before reuse and avoid direct heat and sunlight. Do not iron. Do not dry clean.
- Wipe clean plastics and metals with damp cloth.
- Never clean any part of the product with abrasive, ammonia based, bleach based or spirit type cleaners.
- Ensure the product is fully dry before use or storage.
- Always ensure the product is stored in a dry place to prevent mold or mildew developing.

Dimension Info



LENGTH	95.5 CM	FOLDABLE LENGTH	46 CM
WIDTH	61.5 CM	FOLDABLE WIDTH	61.5 CM
HEIGHT	115 CM	FOLDABLE HEIGHT	110 CM
WEIGHT	10.2 KGS		



CARTON LENGTH	50 CM
CARTON WIDTH	47 CM
CARTON HEIGHT	87 CM

SAFETY HINTS\INSTRUCTIONS OF USE \ WARRANTY & GAURANTEE GUIDELINES

1.Please read this User Guide thoroughly before using this product. If you are not sure on any point in this guide please consult with the sales person whom sold you this product or contact Chelino on 0118352520. Our offices hours are Monday to Thursday from 9:00 am to 13:00 pm and 14:00 pm to 16:30 pm and Fridays from 9:00 am to 12:00 pm and 14:00 pm to 16:30 pm. Our offices are closed on Saturdays, Sundays, Public holidays and for three weeks during the December/ January festive season. We are situated at 12 Kimberlite Road, Theta Ext, Booyens Reserve, 2091, Johannesburg, Gauteng, RSA.

2.To avoid suffocation or swallowing or any other illness, please keep all packaging which have been removed from parts wrapped in the box away from infants, toddlers, children or any other living being. Please carefully dispose of the unwanted packaging once this product is fully assembled and you are satisfied with your purchase.

3.Please make sure that you are entirely satisfied with your purchase before removing the warning card attached to this product and before using this product. Once the warning card has been removed and if this product has been used we will not accept the return of this product.

4.If you are not entirely satisfied with this product purchased, please disassemble this product and re-pack it in the original packaging and return it to the store you purchased it from together with the proof of purchase. Depending on the stores policy, you will either be entitled to a replacement product, a credit voucher or a refund. This depends on the stores policies.

5.If you are not entirely satisfied with the assemble of this product or if you are not 100% sure that you have assembled this product correctly, please take this product back to the store you purchased it from and request for some assistance in checking if the assembly is correct or get this product assembled. Depending on the store's policy, there could be an extra charge for this service. Chelino will not take any responsibility if this product is incorrectly assembled thus causing any sort of injury to the user or the child. Alternatively you can contact Chelino directly on 0118352520, our offices hours are Monday to Thursday from 9:00 am to 13:00 pm and 14:00 to 16:30 pm and Fridays from 9:00 am to 12:00 pm and 14:00 pm to 16:30 pm. Our offices are closed on Saturdays, Sundays, Public holidays and for three weeks during the December/

January festive season. There is a charge for the assembly of any product. If you require a Chelino representative to assemble this product you will have to bring this product to our offices which are situated at 12 Kimberlite Road, Theta Ext, Booyens Reserve, 2091, Johannesburg, Gauteng, RSA.

6.Please note, that any repair which will needs to be made to this product must be done at the Chelino workshop which is situated at 12 Kimberlite Road, Theta Ext, Booyens Reserve, 2091, Johannesburg, Gauteng, RSA. Our offices hours are Monday to Thursday from 9:00 am to 13:00 pm and 14:00 pm to 16:30 pm and Fridays from 9:00 am to 12:00 pm and 14:00 pm to 16:30 pm. Our offices are closed on Saturdays, Sundays, Public holidays and for three weeks during the December/ January festive season.We do not provide any loan\courtesy products while your product has been sent in for repairs. Chelino requires 7 working days to repair any product, but this lead time may vary depending on the transportation of the product too and from yourself. Once the warranty card is detached from this product and once this product is used even if used once and if there is a fault, this product will need to be sent to the Chelino Workshop for the repair and no refund\credit\exchange will be allowed. Only a Chelino representative can decide whether the product needs to be replaced\credited\exchanged.

7.Once you are satisfied with the assembly of this product and have read this instruction and agree to the terms stated and are ready to use this product, please ensure that all safety locks are engaged to ensure safe use of this product.

8.Please ensure that the child is always securely strapped into this product at all times. The seat belts must be properly adjusted to keep the child secured. If the seat belt is too loose the child could fall out thus causing injury. If the seat belts are too tight it will cause injury and aggravation to the child.

9.Never leave the child unattended or without parent\guardian supervision while in this product, as injury could be caused by other parties intentionally or unintentionally. This product can be knocked over and the child can be injured.

10.Never lift this product while the child is in it. This can cause this product to fold and thus causing injury to the child seated in this product. When confronted with a staircase, no matter how many steps there are, please use the alternatives such

SAFETY HINTS\INSTRUCTIONS OF USE \ WARRANTY & GAURANTEE GUIDELINES

as an elevator\lift or ramp or remove the child from this product before using the staircase.

11.Never allow the child to stand on the seat of this product. This can cause this product to fold and thus causing injury to the child. The child can also fall out of this product causing injury to him\herself. This can also cause damage to structure of this product.

12.This product is designed for the use of only one child. This product cannot accommodate more than one child.

13.Always engage the brake when you are not using this product. Please note, by applying the brake one still cannot leave the child unattended and without parent supervision. If the brake is not engaged properly the product will move.

14.Take special care when adjusting the backrest if the child is seated in this product. It is preferred to select the desired backrest position before seating the child this product.

15.Prevent and do not allow any child to climb into this product or hang onto the handle bars or any other part of this product. This imbalance of weight can cause this product to topple thus causing injury.

16.Do not hang or place any diaper bag or shopping bags or any other item over the handle bars or canopy of this product. This weight can cause damage to this product and also cause this product to fold or topple.

17.Storage trays\storage compartments\cup holders are there for convenience and are not suitable for holding large amounts of liquids (hot or cold) or heavy objects. These areas are also not waterproof or leak proof and spillage can occur.

18.The storage basket situated underneath the seat can hold a maximum weight of 2kgs. Do not place any items heavy than 2kgs and items which do not fit in this basket as this will hamper the performance of this product.

19.This product is fit to carry a child weighing no more than 15kgs.

20.This product was designed to be used on smooth surfaces and in average weather climates. Do not use this product on rough terrains and uneven surfaces and in extreme weather conditions. Using this product in the undesired terrains and weather conditions can cause serious damage to this product and to your child.

21.Chelino takes no responsibility and will not be held liable for any damage or injury caused by using this product or if this product is used for any other purposes other than its intended purpose.

22.Please note, there are no warranties or guarantee on any fabrics or sponge grip handles used on this product.

