

Chelino

PLATINUM



MAVERICK STROLLER

CHELINOBABY GROUP OF COMPANIES.
NO. 12 KIMBERLITE ROAD, THETA EXT 5, BOOYSENS RESERVE, JHB, 2091.SA.
Tel: +2711 8352520

www.chelinobaby.co.za

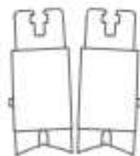


WARNING:

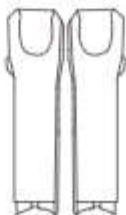
- Never leave your child unattended.
- Ensure that all the locking devices are engaged before use.
- To avoid injury ensure that your child is kept away when unfolding and folding this product.
- Do not let your child play with this product.
- Always use the restraint system.
- Check that the pram body or seat unit attachment devices are correctly engaged before use.
- This product is not suitable for running or skating.
- Lock the stroller when place and remove the children.
- The max-loading weight for the basket is 5kg.
- Any load attached to the handle and/or on the back of the backrest and/or on the sides of the stroller will affect the stability of the stroller.
- Do not carry more than one child in this baby stroller.
- Any extra accessories aren't allowed without the seller's permission, only use replacement parts supplied and approved by the manufacture.
- This stroller does not replace a cot or a bed. Should your child need to sleep, then it should be placed in a suitable pram body, cot or bed.
- Never use this product on a stand.
- Use only on a firm, horizontal level dry surface.
- The stroller is suitable up to 22 kg or 4 years whichever comes first.

Due to variation on the styles and designs of our products, the photographs and illustrations shown in this manual are generic. Therefore products fabric, colour and design may vary from images shown, Chelino reserves the right to alter products specifications.

Parts number

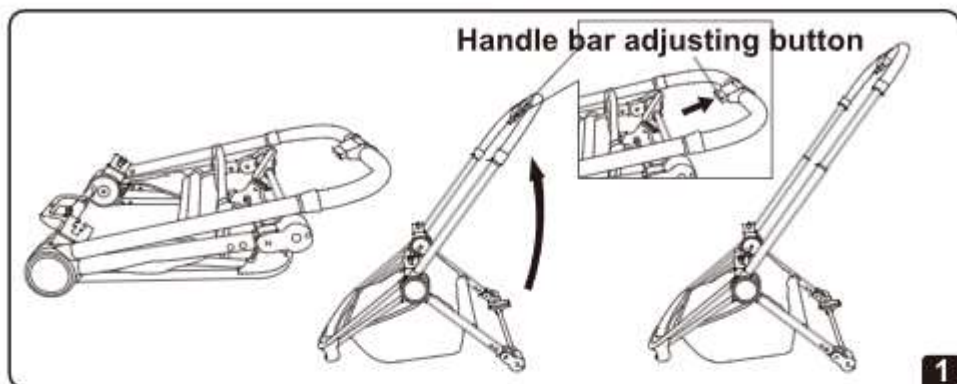


Seat height raiser

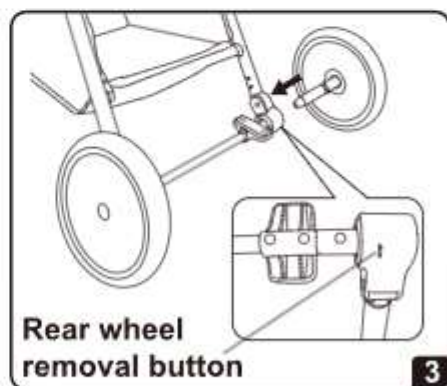
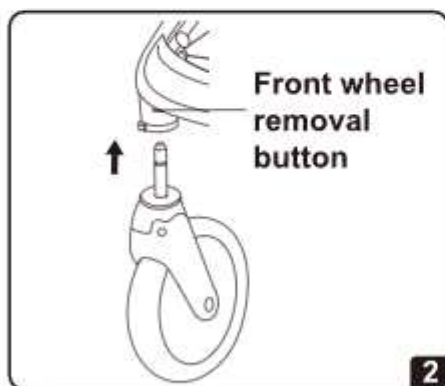


MAXI COSI/Cybex Adapters

Unfolding and installing



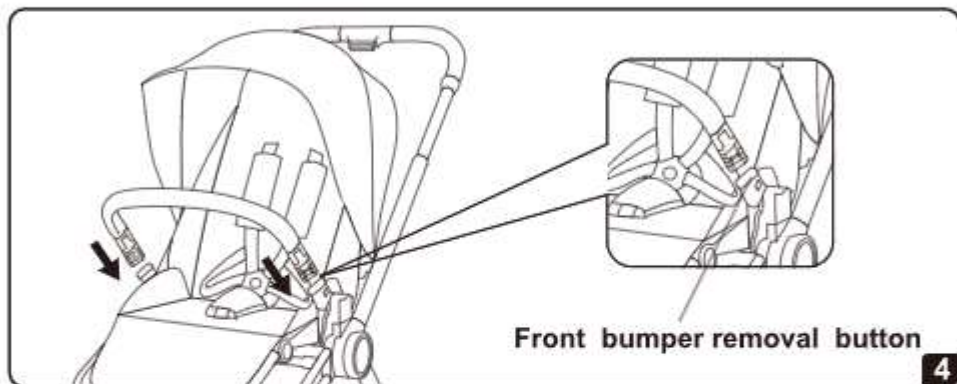
1. Unfolding the chassis: As the picture shown, Holding the handle bar by one hand and lifting upwards until Click sound, right locked position of the chassis now. checking the safety of the chassis. Pressing the button of the handle bar, then can adjust the height of the handle bar.



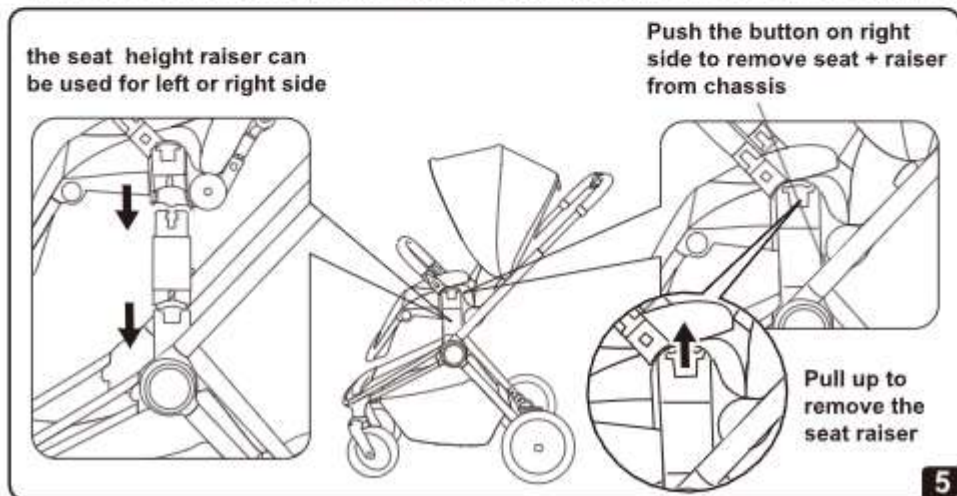
2. Installing the front wheels: As the picture shown, put the front wheels inside the front wheel bracket till the sound of “click”. indicating correct assembling way. Same installing method on the other side. When disassembling, pressing the front wheels button, meanwhile, pulling it outwards, same installing method on the other side.

3. Installing the rear wheels: As the picture shown, put the rear wheels inside the rear wheel bracket till the sound of “click”, indicating correct assembling way. Same installing method on the other side. When disassembling, pressing the front wheels button, meanwhile, pulling it outwards, same installing method on the other side.

Unfolding and installing

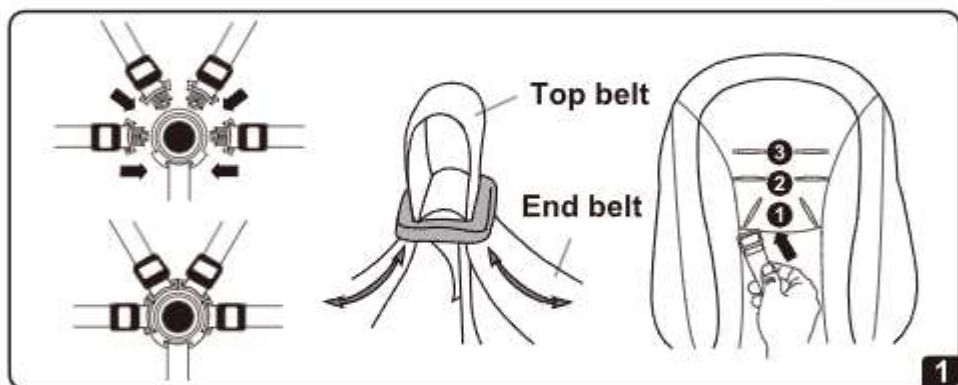


4. Installing the front bar: As the pictures shown, Inserting the bumper bar connector inside the socket of the bar till the sound of “click”. Indicating the correct installing way, pressing the both sides of removal button together, then can remove the front bar.



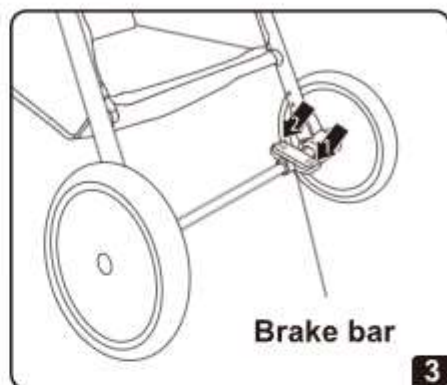
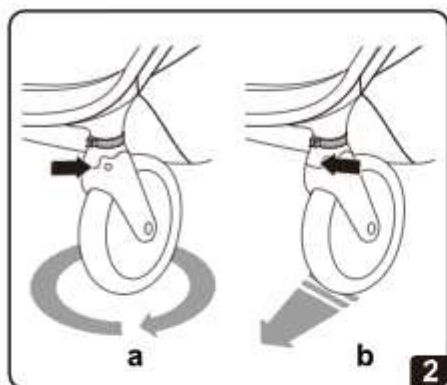
5. Installing the seat unit: The seat unit can be installed by both two directions, forward and backward. As the picture shown: ensuring fixed plug of both two sides parallel before using it, then inserting into the fixed socket of both two sides separately, right and left. Till the sound of “click”. Indicating the correct installing way. If the disassembling is necessary , pulling the removal level on the left and right sides at the same time. Then can lift upwards the seat unit.

Instruction for using



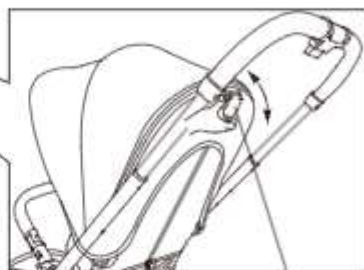
1. Using method of the safety belt: As the picture shown. Inserting the safety button into the buckle socket till the sound of “click” and indicating locked now. Pressing the secondary safety button plug to the inside, and then opening. Pulling the plug outward to open it. Shortening: lengthening the top ring belt, then lengthening the tail belt and lock it. Length adjustment: lengthening the top ring belt, then shortening the tail belt and lock it. Shoulder belt third gear adjustment: fastening the seat belt. The buckle passes through the front of the seat pocket until it passes through the back plate of the seat pocket, and then the safety buckle is flat against the back of the seat pocket. The back of the board enables the shoulder strap to be reliably fixed on the seat pocket.

Instruction for using

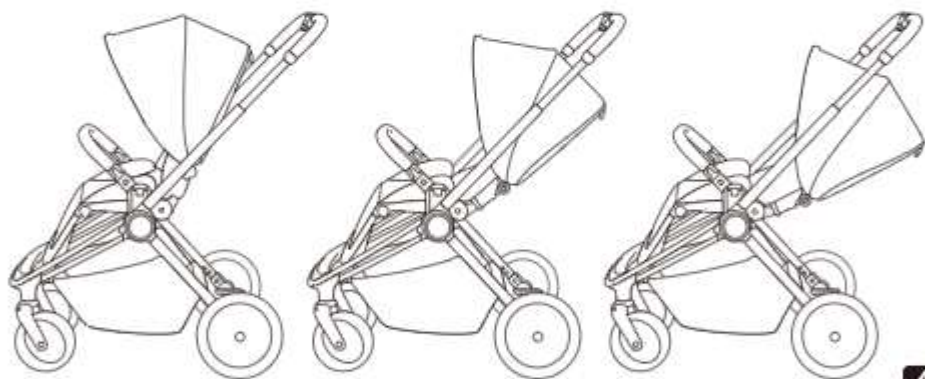


- 2. Front wheels rotating:** As the picture shown: pulling the rotary button to the outside, and the wheel is in the state of free rotating. Front wheel orientation: As the picture shown. Pulling the rotary button to the inside, and the wheel is in the orientation state.
- 3. Rear wheel brake:** As the picture shown, stepping on the brake bar like "1" position, indicating braked now, stepping on the brake bar like "2" position. The stroller can work normally now.
- Attention:** When the stroller is not moving, the stroller must be in the braking state.

Instruction for using

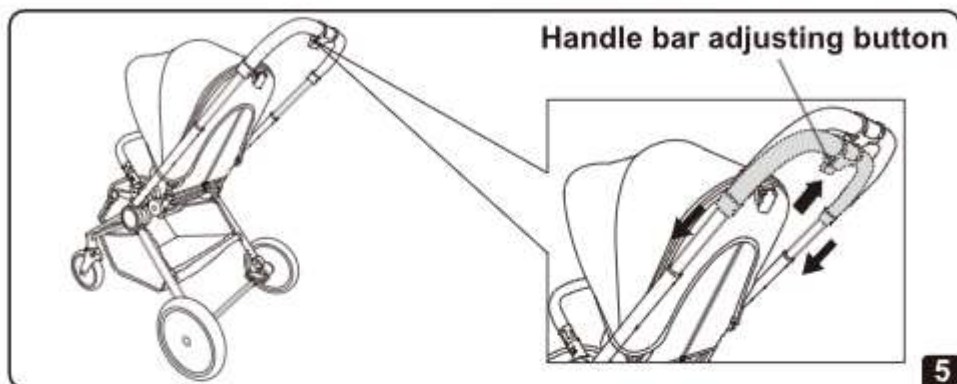


Seat unit adjusting lever

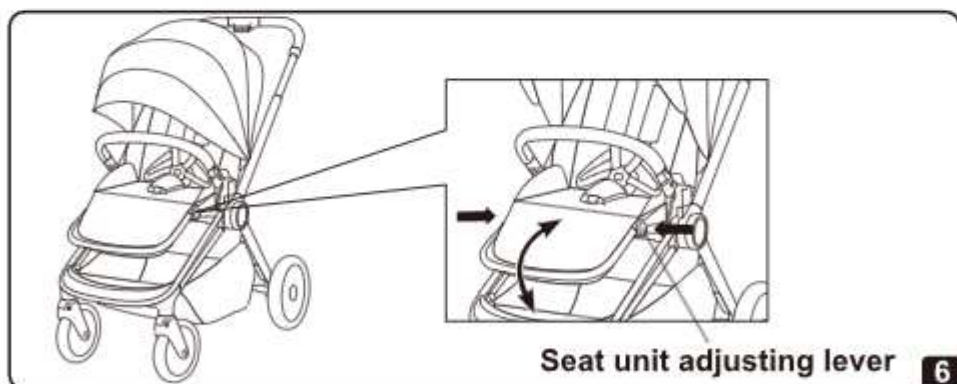


4. Backrest angle adjusting: As the picture shown, pulling angle adjusting level, up and down, three different angle can be adjusted .

Instruction for using

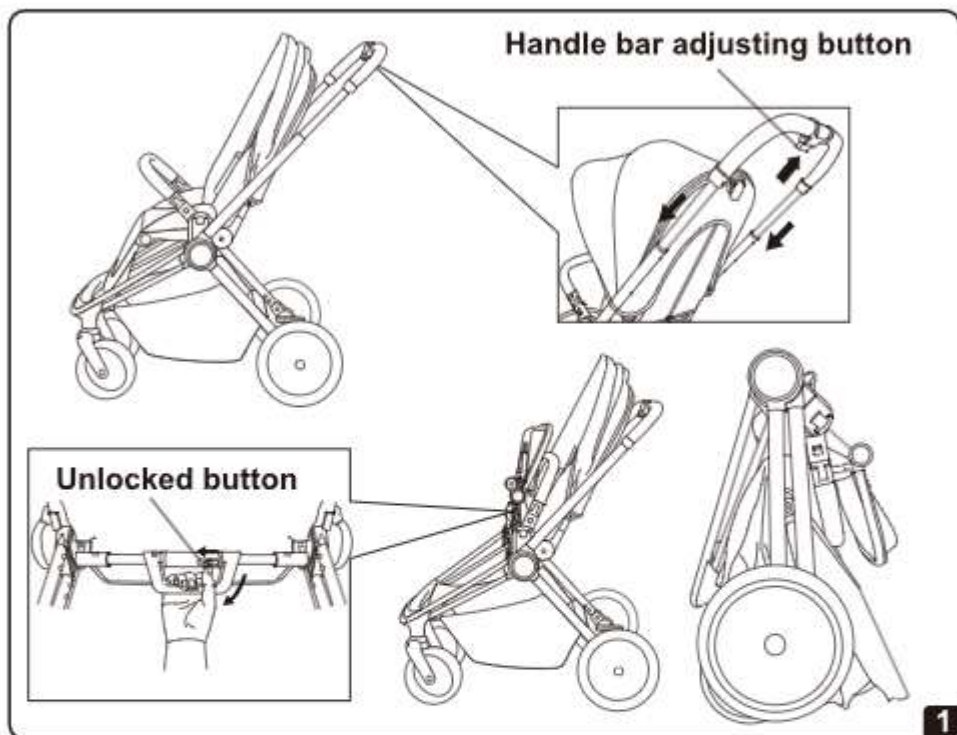


5.Handle bar adjusting: As the picture shown, pressing in the height adjusting button, then can adjust the handle bar height.



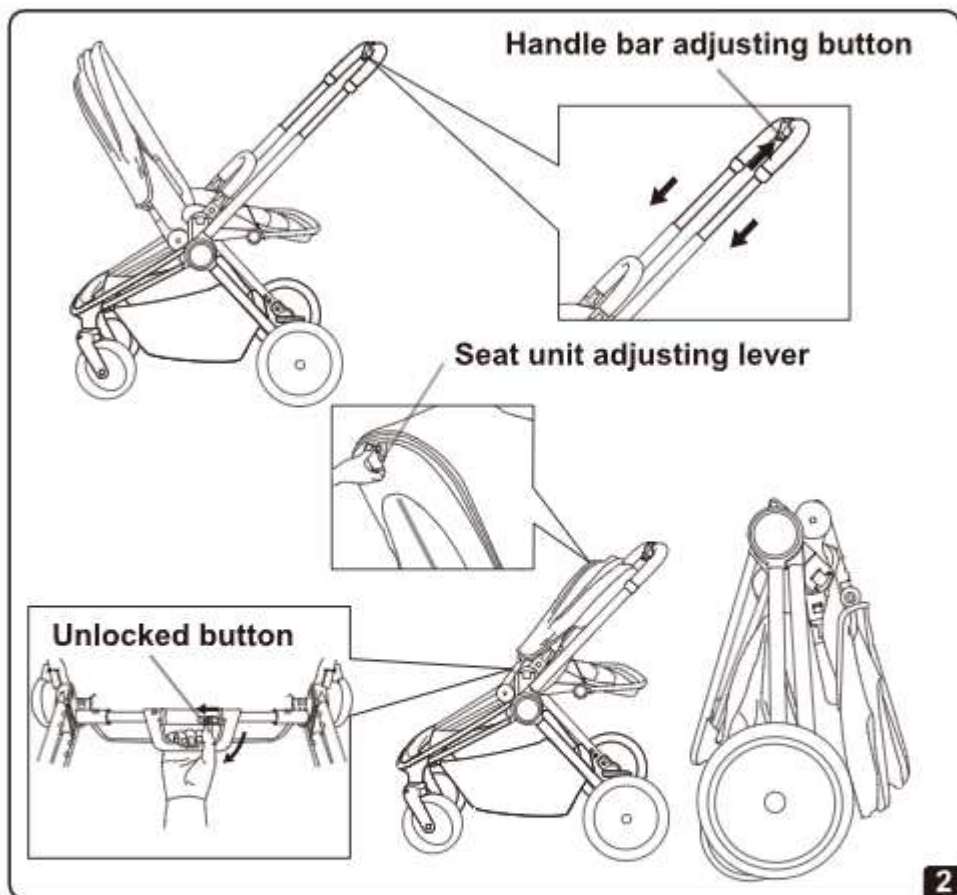
6.Footrest adjusting: As the picture shown, pressing the adjusting button at the same time, then can adjust the footrest up and down.

Folding instruction



- 1. Forward folding:** As the picture shown, when the seat unit is used in the forward direction. Pulling the handle bar into the lowest position. Together pushing the footrest upwards. Unlocking the button to the left with your thumb, holding the handle and lifting the stroller up at the same time. Then stroller can be folded.

Folding instruction



2.Reverse folding: As the picture shown, when the unit is used in reverse direction. Pulling the handle bar into the lowest position, and together adjusting the backrest level, folding the backrest forward, unlocking the button to the left with your thumb, and holding the handle bar while you open it. Lifting up the stroller and now can put it away.

Maintenance instruction:

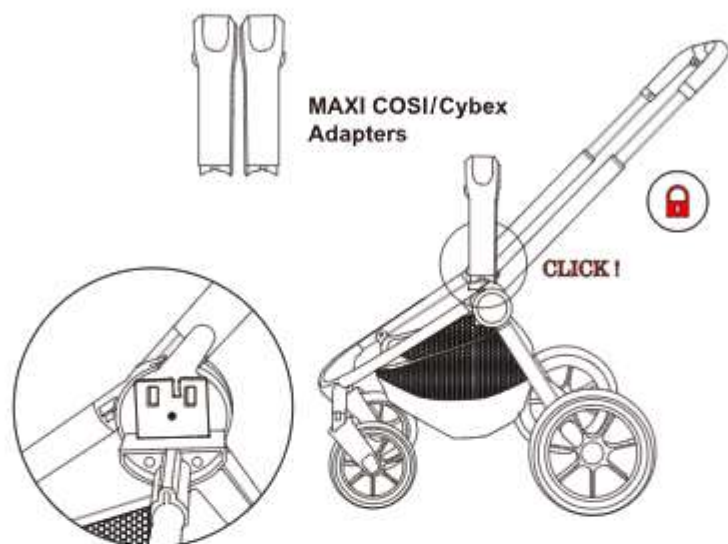
- To ensure your baby is protected from accidental injury, please check and maintain the stroller regularly.
- Please use brush cleaner to clean the seat fabric and use the household soap or neutral detergent to clean other parts.
- Please do not store in direct sunlight and rain.
- Regularly check if there is a screw loosening, parts damaged or structure broken, if necessary, replace the damaged parts.
- Please use it according to the instruction manual carefully so as not to cause unnecessary damage.

Attention:

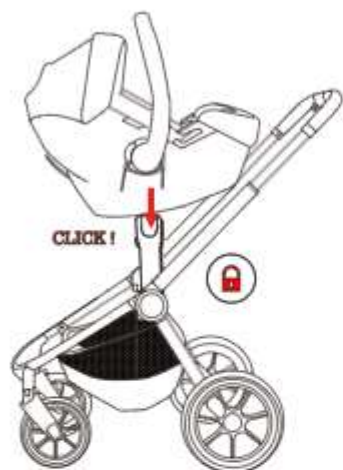
- Please check if the components are installed in place and fastening before use it.
- Do not let the child climb out of the safety belts or stand on the seat.
- Do not use the stroller on the rough ground, near the fire and other dangerous areas.
- Avoid to use or storage the stroller in wet, cold or high temperature environment, and keep it away from fire or strong heat.

To assemble the car seat

Car seat optional extra (car seat adaptor come with Maverick stroller)



1a. Remove the seat unit from the classis to fit the adapters. Line up the adapters with classis housing and press downwards for both sides. Listen for a "click" to signal correct assembly.



1b. Place the car seat onto the adapters. Push down to "click" into place. Lift by handle to ensure car seat is secure. Alternatively, attach the adapters to the car seat first and then attach the car seat to the classis.



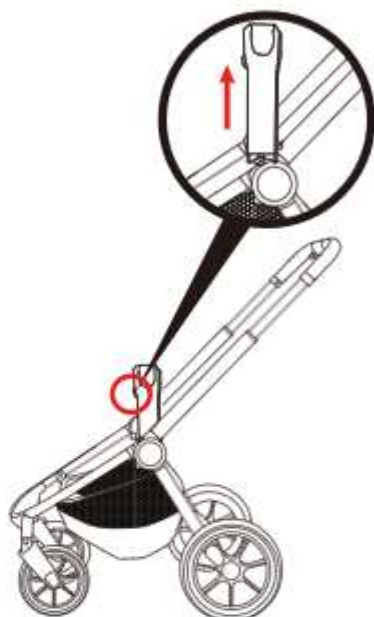
1c. Press the adjuster button located at the side of end handle bar to adjust the handle

To remove the car seat

WARNING! Never attach the car seat forward facing.



2a. Press the adjuster button located at side of end handle bar to upright position. Press the button located on the side of the car seat and pull upwards to remove.



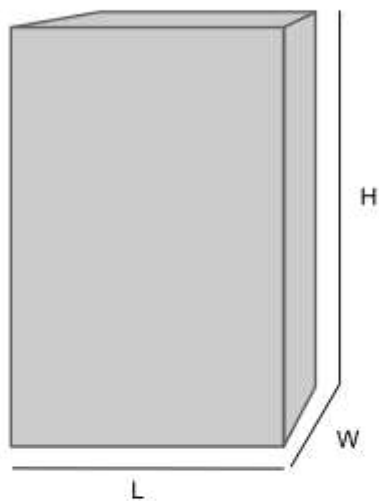
2b. Lift lever both sides of the adapters to remove the adapters from the classis.

Dimension Info



LENGTH	78 CM	FOLDABLE LENGTH	71.5 CM
WIDTH	62.5 CM	FOLDABLE WIDTH	62.5 CM
HEIGHT	106 CM	FOLDABLE HEIGHT	35 CM

WEIGHT	10.2 KG
--------	---------



CARTON LENGTH	50 CM
CARTON WIDTH	26 CM
CARTON HEIGHT	67 CM

SAFETY HINTS\INSTRUCTIONS OF USE \ WARRANTY & GAURANTEE GUIDELINES

1.Please read this User Guide thoroughly before using this product. If you are not sure on any point in this guide please consult with the sales person whom sold you this product or contact Chelino on 0118352520. Our offices hours are Monday to Thursday from 9:00 am to 13:00 pm and 14:00 pm to 16:30 pm and Fridays from 9:00 am to 12:00 pm and 14:00 pm to 16:30 pm. Our offices are closed on Saturdays, Sundays, Public holidays and for three weeks during the December/ January festive season. We are situated at 12 Kimberlite Road, Theta Ext, Booyens Reserve, 2091, Johannesburg, Gauteng, RSA.

2.To avoid suffocation or swallowing or any other illness, please keep all packaging which have been removed from parts wrapped in the box away from infants, toddlers, children or any other living being. Please carefully dispose of the unwanted packaging once this product is fully assembled and you are satisfied with your purchase.

3.Please make sure that you are entirely satisfied with your purchase before removing the warning card attached to this product and before using this product. Once the warning card has been removed and if this product has been used we will not accept the return of this product.

4.If you are not entirely satisfied with this product purchased, please disassemble this product and re-pack it in the original packaging and return it to the store you purchased it from ogether with the proof of purchase. Depending on the stores policy, you will either be entitled to a replacement product, a credit voucher or a refund. This depends on the stores policies.

5.If you are not entirely satisfied with the assemble of this product or if you are not 100% sure that you have assembled this product correctly, please take this product back to the store you purchased it from and request for some assistance in checking if the assembly is correct or get this product assembled. Depending on the store's policy, there could be an extra charge for this service. Chelino will not take any responsibility if this product is

incorrectly assembled thus causing any sort of injury to the user or the child. Alternatively you can contact Chelino directly on 0118352520, our offices hours are Monday to Thursday from 9:00 am to 13:00 pm and 14:00 to 16:30 pm and Fridays from 9:00 am to 12:00 pm and 14:00 pm to 16:30 pm. Our offices are closed on Saturdays, Sundays, Public holidays and for three weeks during the December/ January festive season. There is a charge for the assembly of any product. If you require a Chelino representative to assemble this product you will have to bring this product to our offices which are situated at 12 Kimberlite Road, Theta Ext, Booyens Reserve, 2091, Johannesburg, Gauteng, RSA.

6. Please note, that any repair which will need to be made to this product must be done at the Chelino workshop which is situated at 12 Kimberlite Road, Theta Ext, Booyens Reserve, 2091, Johannesburg, Gauteng, RSA. Our offices hours are Monday to Thursday from 9:00 am to 13:00 pm and 14:00 pm to 16:30 pm and Fridays from 9:00 am to 12:00 pm and 14:00 pm to 16:30 pm. Our offices are closed on Saturdays, Sundays, Public holidays and for three weeks during the December/ January festive season. We do not provide any loan/courtesy products while your product has been sent in for repairs. Chelino requires 7 working days to repair any product, but this lead time may vary depending on the transportation of the product too and from yourself. Once the warranty card is detached from this product and once this product is used even if used once and if there is a fault, this product will need to be sent to the Chelino Workshop for the repair and no refund/credit/exchange will be allowed. Only a Chelino representative can decide whether the product needs to be replaced/credited/exchanged.

7. Once you are satisfied with the assembly of this product and have read this instruction and agree to the terms stated and are ready to use this product, please ensure that all safety locks are engaged to ensure safe use of this product.

8. Please ensure that the child is always securely strapped into this product at all times. The seat belts must be properly adjusted to keep the child secured. If the seat belt is too loose the child could fall out thus causing injury. If the seat belts are too tight it will cause injury and aggravation to the child.

9. Never leave the child unattended or without parent\guardian supervision while in this product, as injury could be caused by other parties intentionally or unintentionally. This product can be knocked over and the child can be injured.
10. Never lift this product while the child is in it. This can cause this product to fold and thus causing injury to the child seated in this product. When confronted with a staircase, no matter how many steps there are, please use the alternatives such as an elevator\lift or ramp or remove the child from this product before using the staircase.
11. Never allow the child to stand on the seat of this product. This can cause this product to fold and thus causing injury to the child. The child can also fall out of this product causing injury to him\herself. This can also cause damage to structure of this product.
12. This product is designed for the use of only one child. This product cannot accommodate more than one child.
13. Always engage the brake when you are not using this product. Please note, by applying the brake one still cannot leave the child unattended and without parent supervision. If the brake is not engaged properly the product will move.
14. Take special care when adjusting the backrest if the child is seated in this product. It is preferred to select the desired backrest position before seating the child this product.
15. Prevent and do not allow any child to climb into this product or hang onto the handle bars or any other part of this product. This imbalance of weight can cause this product to topple thus causing injury.
16. Do not hang or place any diaper bag or shopping bags or any other item over the handle bars or canopy of this product. This weight can cause damage to this product and also cause this product to fold or topple.
17. Storage trays\storage compartments\cup holders are there for convenience and are not suitable for holding large amounts of liquids (hot or cold) or heavy objects. These areas are also not waterproof or leak proof and spillage can occur.
18. The storage basket situated underneath the seat can hold a maximum weight of 5kgs. Do not place any items heavy than 5kgs

and items which do not fit in this basket as this will hamper the performance of this product.

19.This product is fit to carry a child weighing no more than 22kgs.

20.This product was designed to be used on smooth surfaces and in average weather climates. Do not use this product on rough terrains and uneven surfaces and in extreme weather conditions. Using this product in the undesired terrains and weather conditions can cause serious damage to this product and to your child.

21.Chelino takes no responsibility and will not be held liable for any damage or injury caused by using this product or if this product is used for any other purposes other than its intended purpose.

22.Please note, there are no warranties or guarantee on any fabrics or sponge grip handles used on this product.

Chelino

Stores: ChelinoBaby – Ormonde – JHB
ChelinoBaby – Fourways – JHB
ChelinoBaby – Woodmead Square – JHB
ChelinoBaby – Greenstone – JHB
ChelinoBaby – Centurion – Pretoria
ChelinoBaby – Menlyn – Pretoria
ChelinoBaby – Kolonnade – Pretoria
ChelinoBaby – Gateway – Durban
ChelinoBaby – Cavendish Square – Cape Town
ChelinoBaby – Online – www.chelinobaby.co.za



Imported for :

ChelinoBaby Group of Companies.

No. 12 Kimberlite Road , Theta Ext 5 ,
Booyens Reserve , JHB , 2091. SA.

Tel: +2711 8352520

Info: info@chelinoplatinum.co.za