



ROCKY III JOGGER INSTRUCTION MANUAL



ChelinoBaby Group of Companies.
No. 12 Kimberlite Road , Theta Ext 5 , Booysens Reserve , JHB , 2091. SA.
Tel: +2711 8352520

www.chelinobaby.co.za





WARNING

PLEASE READ THE INSTRUCTIONS CAREFULLY BEFORE USE, AND RETAIN FOR FUTURE REFERENCE. YOUR CHILD'S SAFETY MAY BE AFFECTED IF YOU DO NOT FOLLOW THESE INSTRUCTIONS.

WARNING! IMPORTANT! – Read carefully and keep for future reference.

WARNING! Never leave the child unattended.

WARNING! Ensure that all the locking devices are engaged before use.

WARNING! To avoid injury ensure that the child is kept away when unfolding and folding this product.

WARNING! Always use the restraint system.

WARNING! Use a harness as soon as the child can sit unaided.

WARNING! Do not let the child play with this product.

WARNING! Must use lowest position for child under 6 months.

WARNING! This product is not suitable for running or skating

WARNING! Any load attached to the handle and/or on the back of the backrest and/or on the sides of the vehicle will affect the stability of the vehicle.

WARNING! The stroller is designed for one child only.

WARNING! Never leave the stroller with your child in it on an inclined surface, even if the brakes are locked.

WARNING! Do not use the stroller if any screws, nuts, pins, etc. are missing, or if any parts are damaged.

WARNING! Before assembly, make sure the product and all of its components are in good operating condition. If they are damaged, do not use the stroller.

WARNING! No additional mattress shall be added.

WARNING! Use only original, manufacturer-approved spare parts.

WARNING! Accessories which are not approved by manufacturer shall not be used.

WARNING! Do not carry the stroller with the child inside.

WARNING! Do not push the stroller down the stairs.

WARNING! Lift the front wheel when pushing the stroller over a curb or up a step.

WARNING! Do not use stroller near open fire, exposed flames, BBQ or heater.

WARNING! Keep the stroller out of reach of children.

WARNING! The brakes shall be engaged when placing and removing the children.

WARNING! The weight and age of the child for the stroller is suitable up to 22kgs or 4 years whichever comes first.

WARNING! Maximum basket load: 2 kg.

CARE AND MAINTENANCE

CARE AND MAINTENANCE



The product requires periodic maintenance.

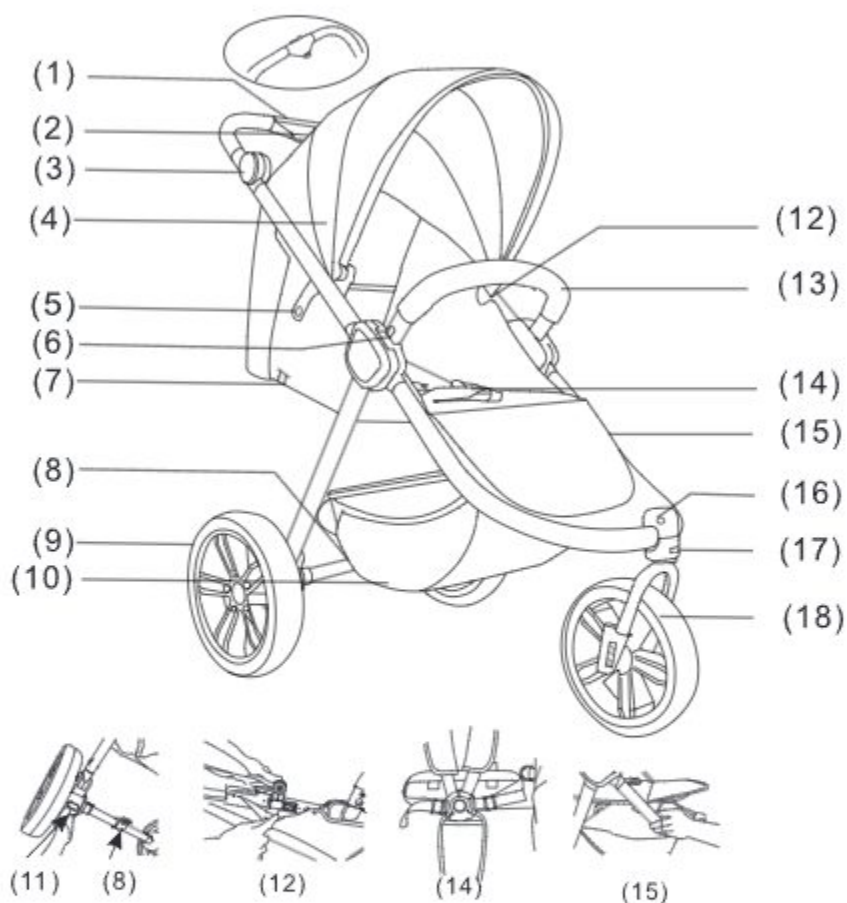
- Check systematically if wheels, brakes, supporting mechanisms, locking mechanisms, and buckles function properly.
- The frame should be clean with a damp cloth. Do not use any strong detergent, thereby you may damage the plastic. Control the wear of wheels and clean them from dust or sand.

Lubricate the wheels regularly with teflon or silicone spray.

- Avoid contact with salt water which may cause rust.
- Long-term exposure to sunlight may cause fabric colour to fade.
- Do not use chemically active agent cleaners.
- If wheels squeak, lubricate sparingly with Teflon or silicone coating. Do NOT use oil or grease based products as these will attract dirt, which will clog the movement.
- Only original replacement should be used. It may be unsafe to use parts not supplied by the manufacturer.
- Do not fold or store the product while wet and never store in a damp environment as this can cause mildew to form.

Due to variation on the styles and designs of our products, the photographs and illustrations shown in this manual are generic. Therefore products fabric, colour and design may vary from images shown, Chelino reserves the right to alter products specifications.

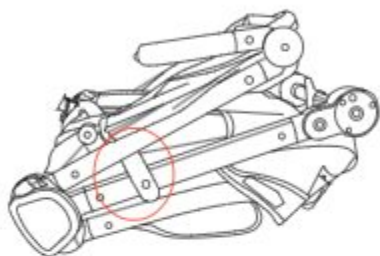
PARTS



- | | |
|-----------------------------|------------------------------------|
| (1) Second lock | (10) Shopping basket |
| (2) Folding button | (11) Rear wheels detaching buttons |
| (3) Height adjusted button | (12) Canopy detaching button |
| (4) Canopy | (13) Bumper bar |
| (5) Folding hook | (14) 5-point harness |
| (6) Bumper detaching button | (15) Footrest adjusted bar |
| (7) Backrest adjusting belt | (16) Front wheel detaching button |
| (8) Brake | (17) Front wheel oriented button |
| (9) Rear wheels | (18) Front wheels |

PARTS

1. Frame



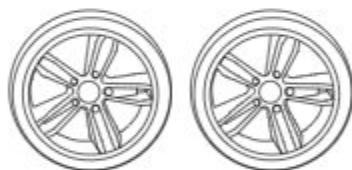
2. Bumper



3. Front wheels



4. Rear wheels

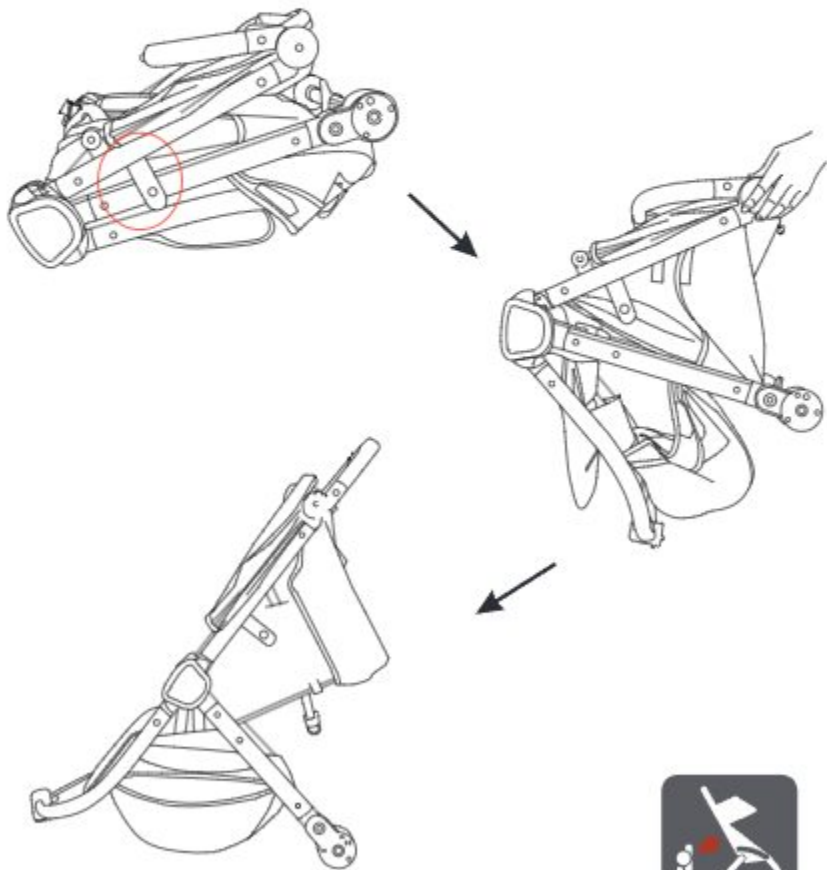


Usage Instructions

/Opening the stroller/

Take out the stroller from the packing box; take off the outside polybag to safety place where the kids do not touch it ;unlock the folding hook till the frame is opened completely.

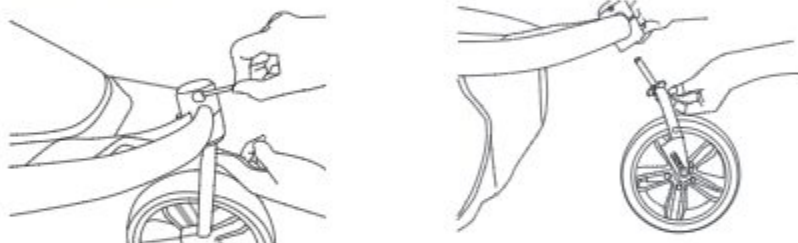
WARNING! MAKE SURE THE STROLLER IS OPENED SUCCESSFULLY!



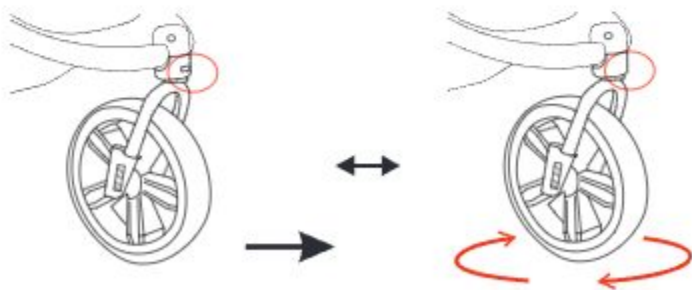
Usage Instructions

/Front wheel instruction/

1. Installation: Corresponding the front rotation components with the front tube until they are clicking together, then pull the wheel to the opposite direction to make sure the front wheel is locked, the same installation in the other wheel.
2. Uninstallation: Hold up front wheel fork hard, at the same time press front wheel detachable button which is inside socket of front wheel axle, pull front wheel axle out of the socket, front wheel is disassembled.



3. Press front wheel orientated button, front wheel can be orientated (see picture 1) and universal (see picture 2).



Usage Instructions

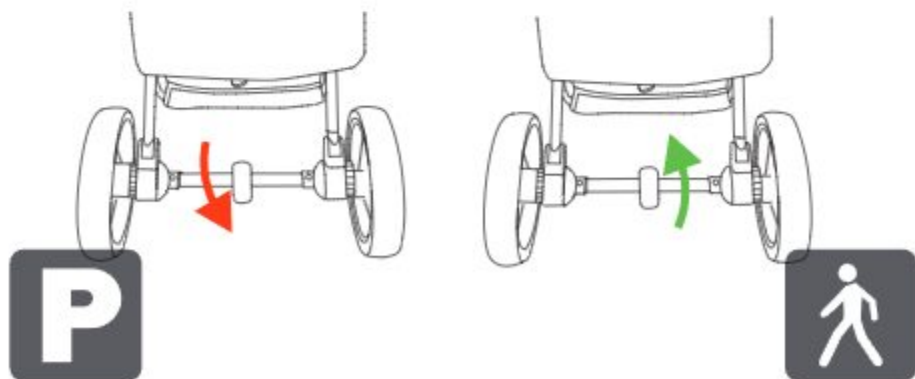
/Rear wheel instruction/

1. Insert the rear wheel axles into rear wheel axle holder the rear wheel is assembled.
2. Press the rear wheel detached button on the bottom side of rear wheel socket parts as picture shown, then pull the rear wheels out of rear wheel axle socket, the rear wheel is disassembled.



/Brake instruction/

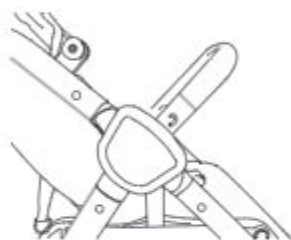
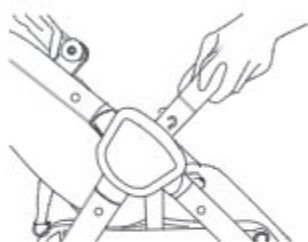
1. Deep press the brake until the brake block click into brake gear completely, indicating the stroller is braked.
2. Lift the brake up, the stroller can be moved.



Usage Instructions

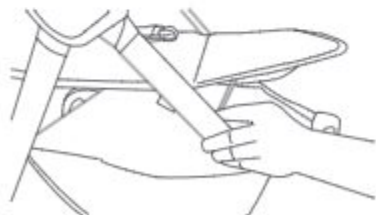
/Bumper bar instruction/

1. Installation: Put the bumper into the plastic holder of the stroller until they are clicking into place.
2. Uninstallation: Press the quick release button of the bumper by two hands, meanwhile pull out the bumper and take it off.



/Footrest adjustment/

Put footrest adjust bar up or down, footrest position is adjusted. Footrest is two-position adjusted.

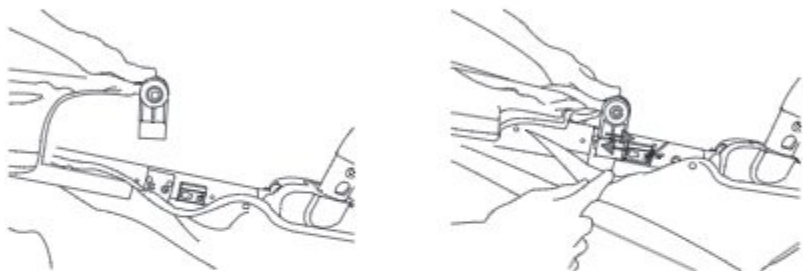


Usage Instructions

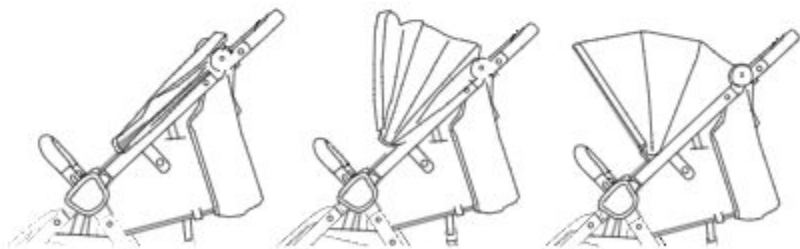
/Canopy instruction/

Assemble: Insert bottom part of the canopy bottom into house on the pushing bar of the stroller until they fixed sturdy. The canopy is fixed.

Disassemble: Using something sharpen press the button on the socket, then pull the bottom part of the canopy, The canopy is disassembled.



Three-position adjusted canopy by draw backwards or forwards.



Usage Instructions

/Safety Belt Instruction/

Assemble: Press the round button in middle of the buckle, then the safety belt is released;

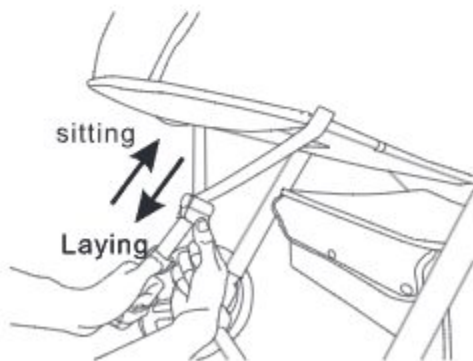
Disassemble: Insert the wrist plastic part into shoulder plastic part, and then insert these two together into the crotch buckle plastic holder, the safety belt is assembled.

Adjustment: Lengthen or shorten the shoulder belt, the length is adjusted.



/Backrest adjustment/

Backrest can be adjusted accordingly, fasten or loosen the backrest belt while pressing the middle button indicated.



sitting

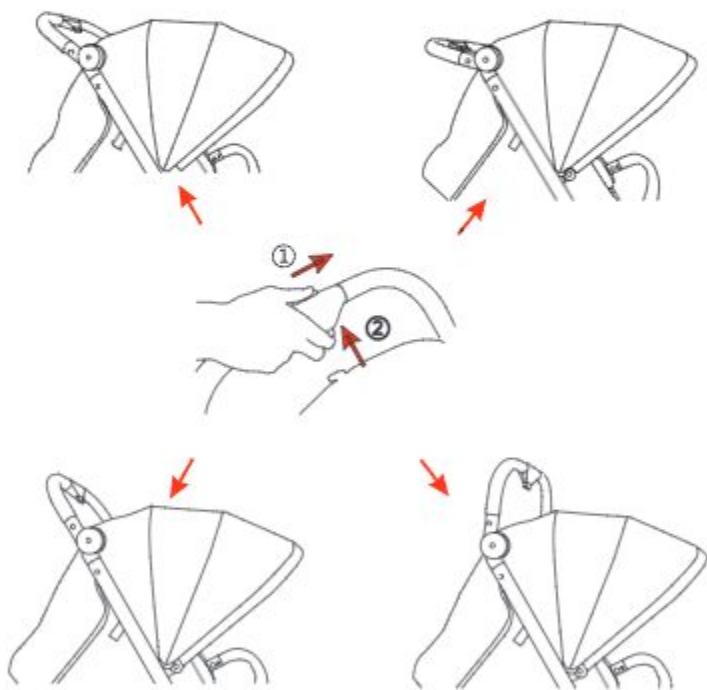


Laying

Usage Instructions

/ Handle bar instruction/

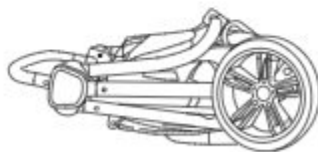
Push second lock button to the left end, then press the folding button. At the same time, push top of the handle forwards or downwards, height of the handle is adjusted.



Usage Instructions

/Folding instruction/

Ensure the canopy is closed and unlock the front wheels in order to not obstruct the stroller folding, then come to push the 2nd lock button toward to left side to the end till the lock released and to press the folding button, at the same time push top parts of handle front-forward to push it to completely touch the bottom part of handle bar, after that press the handle bar downward till folding the hook is hanging on. If further drawing handle bar backwards, the stroller can stand by itself as the last picture showing.



SAFETY HINTS\INSTRUCTIONS OF USE \ WARRANTY & GUARANTEE GUIDELINES

01. Please read this User Guide thoroughly before using this product. If you are not sure on any point in this guide please consult with the sales person whom sold you this product or contact Chelino on 0118352520. Our offices hours are Monday to Thursday from 9:00 am to 13:00 pm and 14:00 pm to 16:30 pm and Fridays from 9:00 am to 12:00 pm and 14:00 pm to 16:30 pm. Our offices are closed on Saturdays, Sundays, Public holidays and for three weeks during the December/ January festive season. We are situated at 12 Kimberlite Road, Theta Ext, Booyens Reserve, 2091, Johannesburg, Gauteng, RSA.
02. To avoid suffocation or swallowing or any other illness, please keep all packaging which have been removed from parts wrapped in the box away from infants, toddlers, children or any other living being. Please carefully dispose of the unwanted packaging once this product is fully assembled and you are satisfied with your purchase.
03. Please make sure that you are entirely satisfied with your purchase before removing the warning card attached to this product and before using this product. Once the warning card has been removed and if this product has been used we will not accept the return of this product.
04. If you are not entirely satisfied with this product purchased, please disassemble this product and re-pack it in the original packaging and return it to the store you purchased it from together with the proof of purchase. Depending on the stores policy, you will either be entitled to a replacement product, a credit voucher or a refund. This depends on the stores policies.
05. If you are not entirely satisfied with the assemble of this product or if you are not 100% sure that you have assembled this product correctly, please take this product back to the store you purchased it from and request for some assistance in checking if the assembly is correct or get this product assembled. Depending on the store's policy, there could be an extra charge for this service. Chelino will not take any

responsibility if this product is incorrectly assembled thus causing any sort of injury to the user or the child. Alternatively you can contact Chelino directly on 0118352520, our offices hours are Monday to Thursday from 9:00 am to 13:00 pm and 14:00 to 16:30 pm and Fridays from 9:00 am to 12:00 pm and 14:00 pm to 16:30 pm. Our offices are closed on Saturdays, Sundays, Public holidays and for three weeks during the December/ January festive season. There is a charge for the assembly of any product. If you require a Chelino representative to assemble this product you will have to bring this product to our offices which are situated at 12 Kimberlite Road, Theta Ext, Booyens Reserve, 2091, Johannesburg, Gauteng, RSA.

06. Please note, that any repair which will need to be made to this product must be done at the Chelino workshop which is situated at 12 Kimberlite Road, Theta Ext, Booyens Reserve, 2091, Johannesburg, Gauteng, RSA. Our offices hours are Monday to Thursday from 9:00 am to 13:00 pm and 14:00 pm to 16:30 pm and Fridays from 9:00 am to 12:00 pm and 14:00 pm to 16:30 pm. Our offices are closed on Saturdays, Sundays, Public holidays and for three weeks during the December/ January festive season. We do not provide any loan/courtesy products while your product has been sent in for repairs. Chelino requires 7 working days to repair any product, but this lead time may vary depending on the transportation of the product too and from yourself. Once the warranty card is detached from this product and once this product is used even if used once and if there is a fault, this product will need to be sent to the Chelino Workshop for the repair and no refund/credit/exchange will be allowed. Only a Chelino representative can decide whether the product needs to be replaced/credited/exchanged.
07. Once you are satisfied with the assembly of this product and have read this instruction and agree to the terms stated and are ready to use this product, please ensure that all safety locks are engaged to ensure safe use of this product.
08. Please ensure that the child is always securely strapped into this product at all times. The seat belts must be properly adjusted to keep the child secured. If the seat belt is too loose the child could fall out thus causing injury. If the seat belts are too tight it will cause injury

and aggravation to the child.

09. Never leave the child unattended or without parent/guardian supervision while in this product, as injury could be caused by other parties intentionally or unintentionally. This product can be knocked over and the child can be injured.
10. Never lift this product while the child is in it. This can cause this product to fold and thus causing injury to the child seated in this product. When confronted with a staircase, no matter how many steps there are, please use the alternatives such as an elevator/lift or ramp or remove the child from this product before using the staircase.
11. Never allow the child to stand on the seat of this product. This can cause this product to fold and thus causing injury to the child. The child can also fall out of this product causing injury to him/herself. This can also cause damage to structure of this product.
12. This product is designed for the use of only one child. This product cannot accommodate more than one child.
13. Always engage the brake when you are not using this product. Please note, by applying the brake one still cannot leave the child unattended and without parent supervision. If the brake is not engaged properly the product will move.
14. Take special care when adjusting the backrest if the child is seated in this product. It is preferred to select the desired backrest position before seating the child this product.
15. Prevent and do not allow any child to climb into this product or hang onto the handle bars or any other part of this product. This imbalance of weight can cause this product to topple thus causing injury.
16. Do not hang or place any diaper bag or shopping bags or any other item over the handle bars or canopy of this product. This weight can cause damage to this product and also cause this product to fold or topple.
17. Storage trays/storage compartments/cup holders are there for convenience and are not suitable for holding large amounts of liquids (hot or cold) or heavy objects. These areas are also not waterproof or leak proof and spillage can occur.
18. The storage basket situated underneath the seat can hold a maximum weight of 2kgs. Do not place any items heavy than 2kgs and

items which do not fit in this basket as this will hamper the performance of this product.

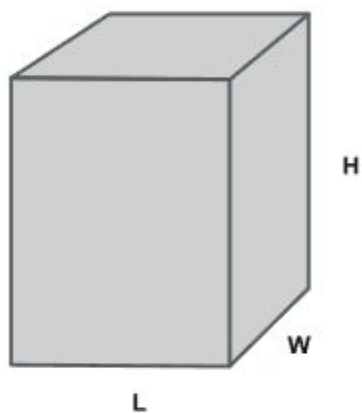
19. This product is fit to carry a child weighing no more than 22kgs.
20. This product was designed to be used on smooth surfaces and in average weather climates. Do not use this product on rough terrains and uneven surfaces and in extreme weather conditions. Using this product in the undesired terrains and weather conditions can cause serious damage to this product and to your child.
21. Chelino takes no responsibility and will not be held liable for any damage or injury caused by using this product or if this product is used for any other purposes other than its intended purpose.
22. Please note, there are no warranties or guarantee on any fabrics or sponge grip handles used on this product.

Dimension Info



LENGTH	108 CM	FOLDABLE LENGTH	40 CM
WIDTH	59 CM	FOLDABLE WIDTH	59 CM
HEIGHT	110 CM	FOLDABLE HEIGHT	85 CM

WEIGHT	8.65 KGS
--------	----------



CARTON LENGTH	44 CM
CARTON WIDTH	35 CM
CARTON HEIGHT	59 CM

ChelinoBaby®

Stores: ChelinoBaby – Ormonde – JHB
ChelinoBaby – Fourways – JHB
ChelinoBaby – Woodmead Square – JHB
ChelinoBaby – Greenstone – JHB
ChelinoBaby – Centurion – Pretoria
ChelinoBaby – Menlyn – Pretoria
ChelinoBaby – Home Hyper City – Pretoria
ChelinoBaby – Gateway – Durban
ChelinoBaby – Cavendish Square – Cape Town
ChelinoBaby – Nelspruit – Mpumalanga
ChelinoBaby – Online – www.chelinobaby.co.za



Imported for :

ChelinoBaby Group of Companies.

No. 12 Kimberlite Road , Theta Ext 5 ,
Booyens Reserve , JHB , 2091. SA.

Tel: +2711 8352520

Info: info@chelino.co.za