

Care

Maintenance

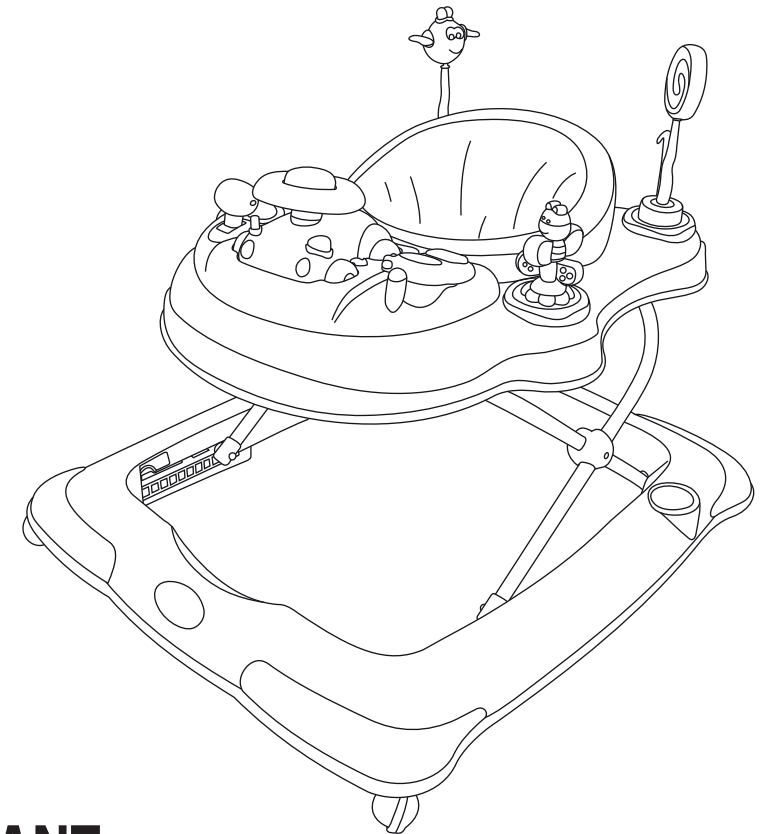
- The correct use and maintenance of this walker is essential.
- This product requires regular maintenance to keep it in good working order.
- Regularly check all parts of the product to ensure that they are operating correctly and for signs of wear or damage.
- Do not use this product if any part is broken, torn or missing and use only spares provided by the manufacturer.

Cleaning

- Seat pad: Spot clean only. Use mild soap or upholstery shampoo. Wash separately. NEVER use bleach. Dry in shade thoroughly before reuse and avoid direct heat and sunlight. Do not iron. Do not dry clean ☒
- Frame: Wipe frame with a soft clean cloth and mild soap. NEVER use bleach.
- Never clean any part of the walker with abrasive, ammonia based, bleach based or spirit type cleaners.
- Ensure the product is fully dry before use or storage.
- Always ensure the walker is stored in a dry place to prevent mold or mildew developing. Store away from any heat sources and not in the sun.

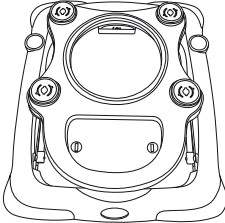

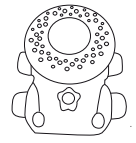
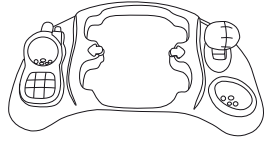
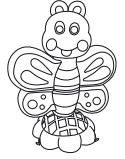
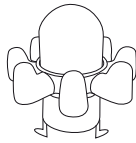
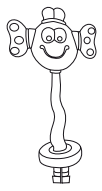
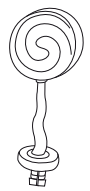
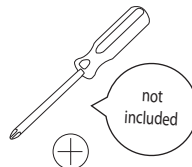
Baby Walker

Item No.:45302



**IMPORTANT:
RETAIN FOR FUTURE REFERENCE
READ CAREFULLY**

Parts List

<p>A</p>  <p>walker x1</p>	<p>B</p>  <p>seat unit x1</p>	<p>C</p>  <p>car toy x1</p>
<p>D</p>  <p>toy tray x1</p>	<p>E</p>  <p>butterfly toy x1</p>	<p>F</p>  <p>octopus toy x1</p>
<p>G</p>  <p>fish toy x1</p>	<p>H</p>  <p>lollipop toy x1</p>	<p>I</p>  <p>Phillips-head screwdriver x1</p> <p>not included</p>

Batteries



ATTENTION!

BATTERY SAFETY: KEEP FOR FUTURE REFERENCE

CAUTION: To prevent possible battery leakage, be sure to follow the guidelines outlined below.

- Alkaline batteries are recommended for longer battery life.
- Do not mix old and new batteries.
- Do not mix alkaline, standard (carbon zinc) or rechargeable batteries.
- Non-rechargeable batteries are not to be recharged.
- Rechargeable batteries are to be removed from the toy before being charged.
- Rechargeable batteries are only to be charged under adult supervision.
- Only batteries of the same or equivalent type as recommended are to be used.
- Batteries are to be inserted correctly by matching the + and - polarity markings.
- Exhausted batteries are to be removed from the toy.
- The supply terminals are not to be short-circuited.
- Dispose of exhausted batteries properly.
- Remove batteries when product is stored for long periods of time.
 - Use a small Phillips-head screwdriver to open the battery compartment door on toy.
 - Insert the battery as indicated inside the battery door and re-attach the battery compartment door with screw.

BATTERIES NOT INCLUDED!

Safety

- Adult assembly is required.
- Read all instructions before assembly and use of the product.
- This baby walking frame is intended to be used by children who can sit unaided, approximately from 6 months. It is not intended for children weighing more than 12kg and/or more than 78cm in height.
- The child will be able to reach further and move rapidly when in the baby walking frame.
 - Prevent access to stairs, steps and uneven surfaces.
 - Guard all fires, heating and cooking appliances.
 - Remove hot liquids, electrical flexes and other potential hazards from reach.
 - Prevent collisions with glass in doors, windows and furniture.
- This baby walking frame should be used only for short periods of time (e.g. 20 mins).
- Take care when unpacking and during assembly.
- Regularly check that all fittings remain tight. Tighten if required.
- Inspect the product before all assembly and periodically during use.
- Never use this product if there is any loose or missing fasteners, joints or broken parts.
- Any additional or replacement parts should only be obtained from the manufacturer or distributor.
- Never substitute parts.
- Keep the plastic packaging away from children to avoid danger of suffocation.

This product conforms to EN 1273:2020

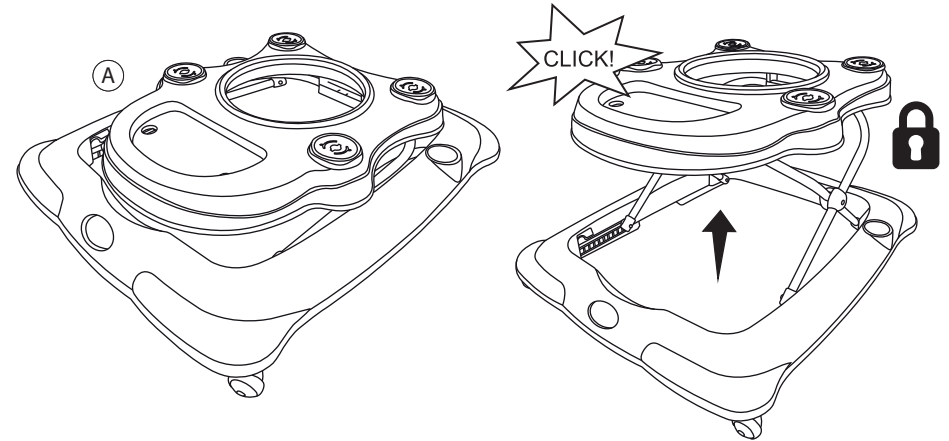
WARNING! NEVER LEAVE THE CHILD UNATTENDED



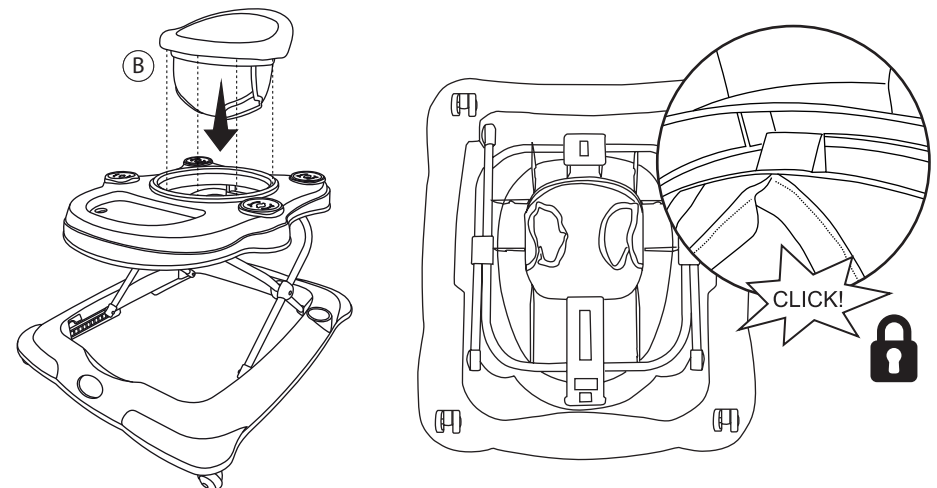
Assembly

1. Unpack all contents and check that all parts are present before starting assembly. Please refer to the parts list.

To open the baby walker (A) raise the top tray until it 'clicks' into place signalling that the secondary lock is engaged.



2. Fit the seat unit (B) to the baby walker. Clip the black plastic tabs located on the seat unit to the underside of the frame seat ring. Using moderate force push downwards until the seat unit 'clicks' into place.



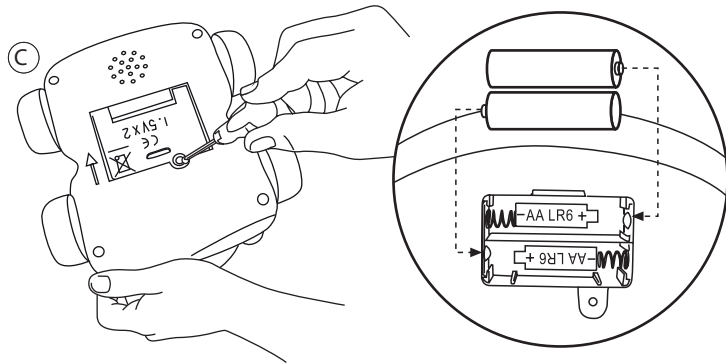
Assembly

3. The car toy (C) requires 2 x AA batteries (**not included**).

Use a Phillips-head screwdriver to unfasten the battery cover. Insert batteries by matching the + and - polarity markings. Secure battery cover back into position.

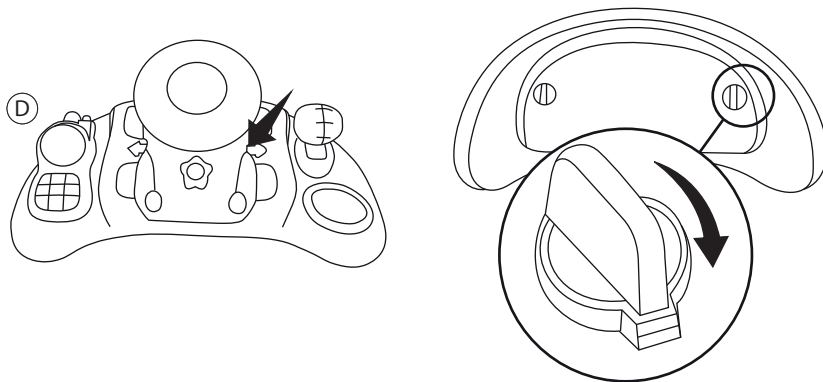
⚠ WARNING:

Remove batteries before storing the walker and/or car toy.



4. Once batteries are installed, clip the car toy (C) onto the toy tray (D).

Next attach the toy tray to the baby walker. Place the toy tray onto the front of the walker. Push up the locking keys located on the underside of the walker and rotate to secure the toy tray into position.



Safety

⚠ CAUTION:

Read these instructions carefully before assembly and use and keep for future reference. The child may be hurt if you do not follow these instructions.

⚠ WARNING:

The walker is not intended for babies that can already walk unassisted.

⚠ WARNING:

Do not use the walker if it is damaged or broken.

⚠ WARNING:

Do not use until the baby can sit upright by itself.

⚠ WARNING:

Clean friction components regularly to maintain stopping performance.

⚠ WARNING:

Never leave the child unattended. Always keep child in view while in walker.

⚠ WARNING:

Use only on flat surfaces free of objects that could cause the walker to tip over.

⚠ WARNING:

To avoid burns, keep the child away from hot liquids, ranges, radiators, space heaters, fire places etc.

⚠ WARNING – STAIR HAZARD:

Avoid serious injury or death. Block stairs/steps securely before using walker.

Height Adjustment

The baby walker has 3 height positions.

The locking mechanism is located on the underside of the top tray.

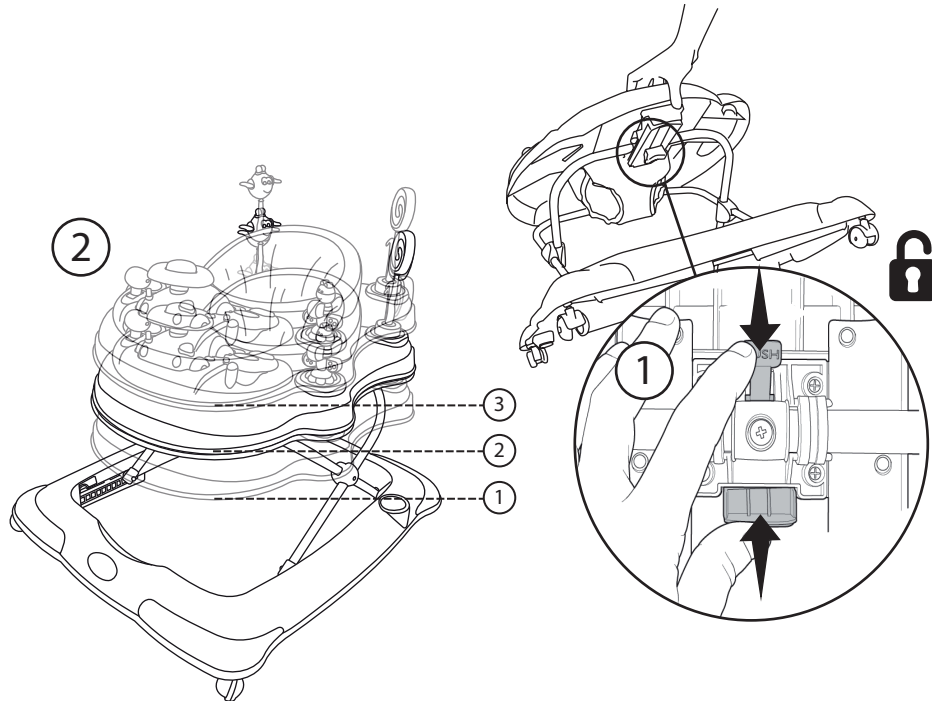
To adjust height, remove baby from walker. Push the red safety catch and at the same time press the white release catch inwards until the mechanism is released. Adjust to desired height.

⚠️ WARNING:

When the position has been selected, check the locking mechanism is not caught (inwards) to prevent accidental release.

Do not adjust height when baby is in the walker.

Ensure mechanism is locked before placing baby in the walker.

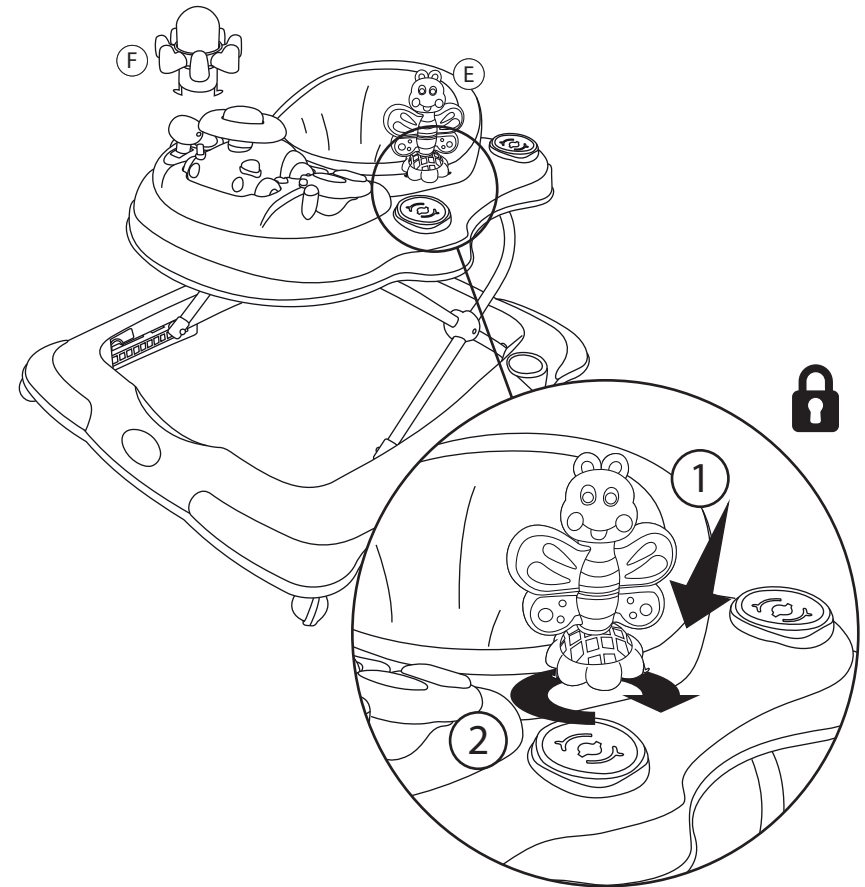


To fold walker, push the red safety catch and at the same time press the white release catch inwards until the mechanism is released. Push walker down to a folded position.

Assembly

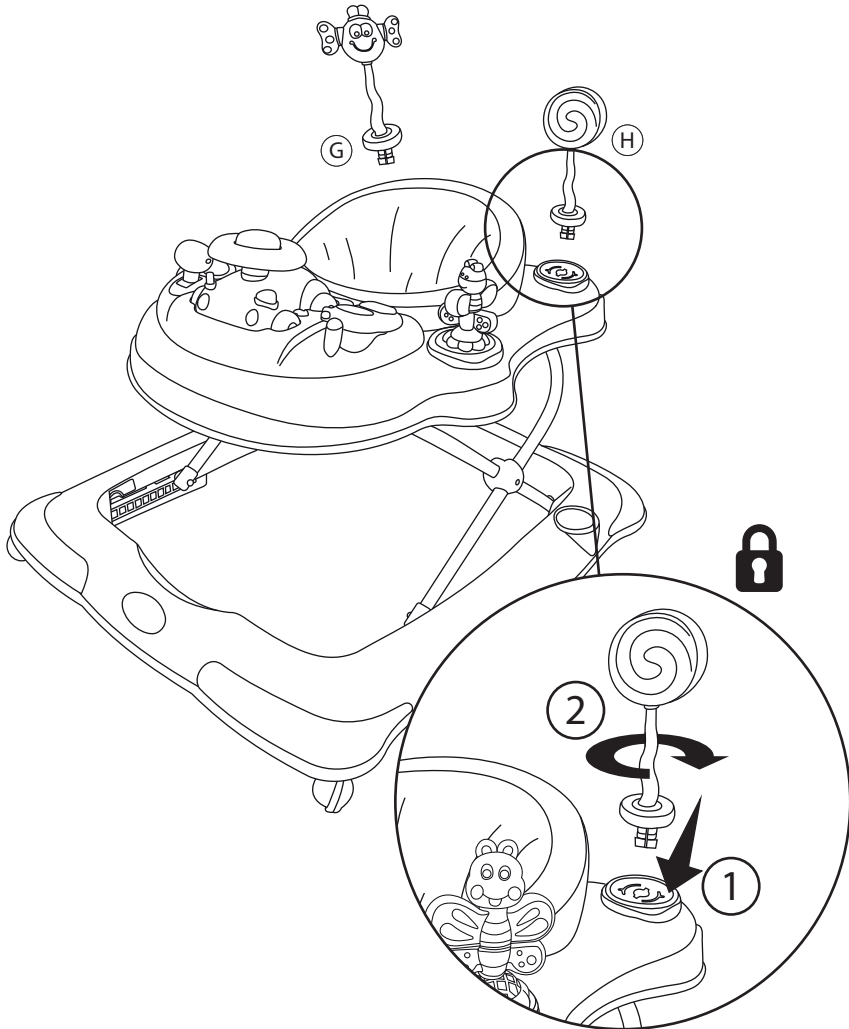
5. Attach the butterfly toy (E) and octopus toy (F) to the baby walker.

Position both toys over the allocated slots located at the front of the walker top tray. Insert the tabs on the toys into the slots and turn the toys clockwise locking them into place.



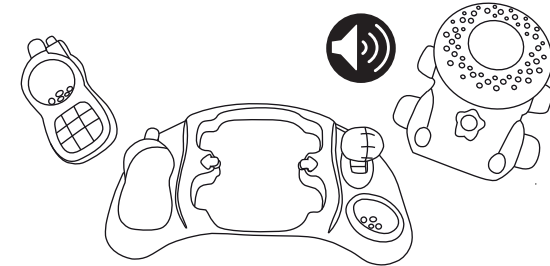
Assembly

6. Attach the fish toy (G) and lollipop toy (H) to the baby walker. Position the toys over the allocated slots at the rear of the walker top tray. Insert the tabs on the toys into the slots and turn the toys clockwise locking them into place.



Toy Tray

The toy tray includes a gear stick which clicks when it is adjusted and a removable toy phone rattle. Pull up the car toy to remove from the toy tray. Press the button on the front for sounds and melodies. The music will stop automatically. The car horn also includes a squeaker.



Swivel Seat

The seat unit includes a 360° swivel feature. Locate the locking mechanism on the underside of the seat ring. First press the button (1), then push the safe lock (2) outwards to engage swivel. Push the the lock (2) inwards to lock swivel for a stationary seat unit

