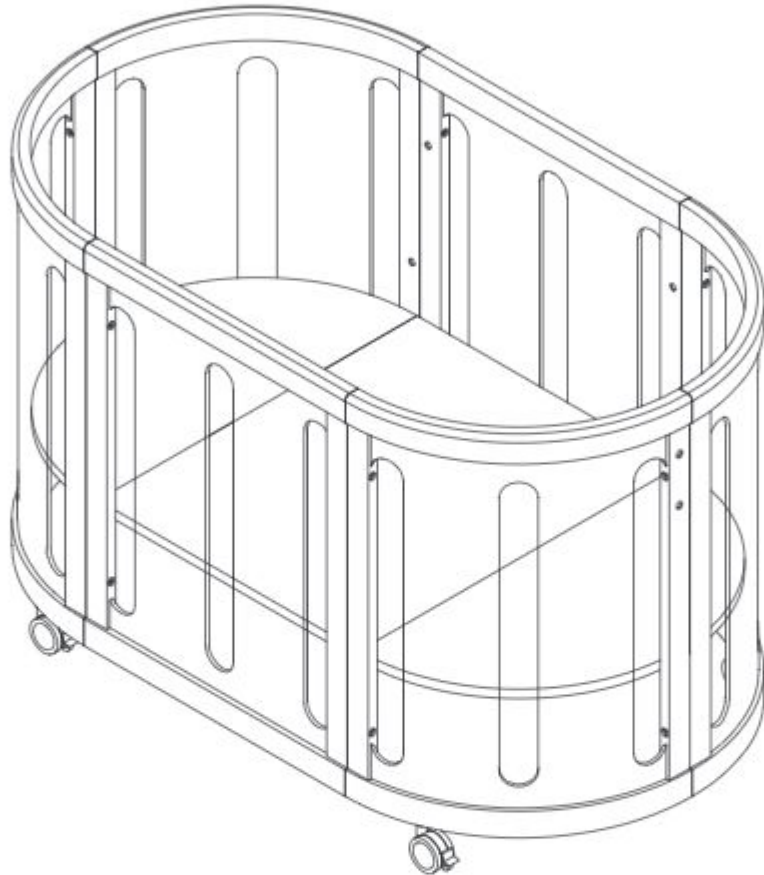


Chelino

PLATINUM



SELINA COT

CHELINOBABY GROUP OF COMPANIES.
NO. 12 KIMBERLITE ROAD, THETA EXT 5, BOOYSENS RESERVE, JHB, 2091.SA.
Tel: +2711 8352520

www.chelinobaby.co.za



BEFORE ASSEMBLING THIS SELINA COT, READ AND UNDERSTAND THE INSTRUCTIONS. INCORRECT ASSEMBLY MAY MAKE THE SELINA COT UNSAFE.

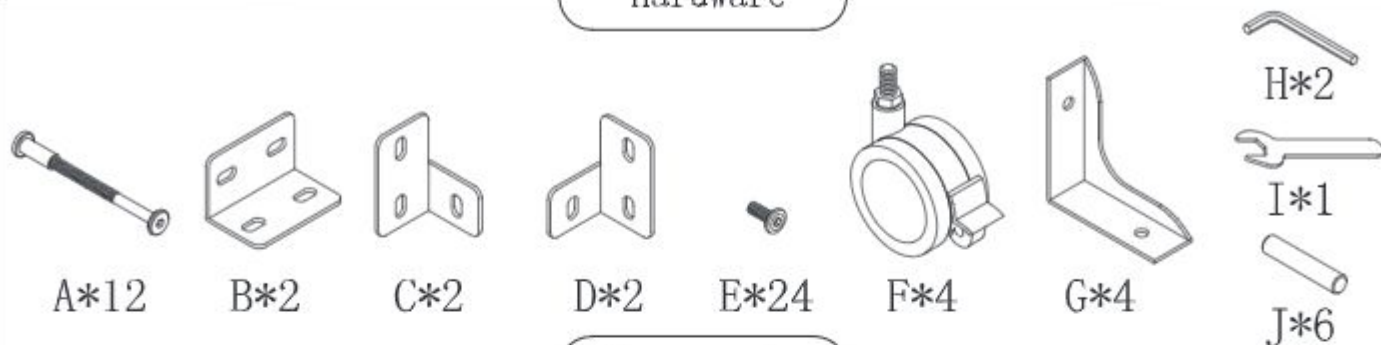
DO NOT USE THIS PRODUCT IF ANY PART IS BORKEN, TORN OR MISSING. KEEP THIS INSTRUCTIONS IN A SAFE PLACE FOR FUTURE REFERENCE.

WARNING

- Never leave children unattended.
- Do not leave anything in the Selina cot, that will allow the child to stand on, and climb out the Selina cot.
- Do not use the Selina cot near naked heat sources, bar heaters, open fires, or exposed flames.
- Keep the Selina cot clear of electrical cords, hanging cords and any other cord that could be harmful to the baby.
- Keep medication, and small items that a child could choke on away from the Selina cot.
- The thickness of the mattress has been specified to ensure that the distance from the top of the mattress to the top of the lowest side or end rail always be at least 500mm. This will reduce the risk of children falling out of the Selina cot.
- To prevent falls the bassinet should not be used once a child can sit up.
- Before using the Selina cot please check and ensure the cot is locked securely.
- The Selina cot is design to use in baby cot mode with children who cannot climb out of the cot, weight less than 14kg, and who are less than 86cm tall.
- The bassinet mode is designed for use with children who cannot sit up unaided and are not heavier than 9kg.
- Do not place more than one child in the Selina cot.
- Do not try and move the Selina cot while a child is in it.
- Do not leave the Selina cot outdoors exposed to direct sunlight.
- Keep your fingers clear from all joints and any moving parts when opening or folding the Selina cot.
- This product is not intended for commercial use.
- Always keep the Selina cot in a safety condition and position.
- Remove all unnecessary items from the Selina cot.

Assembling Instruction For SELINA COT

Hardware



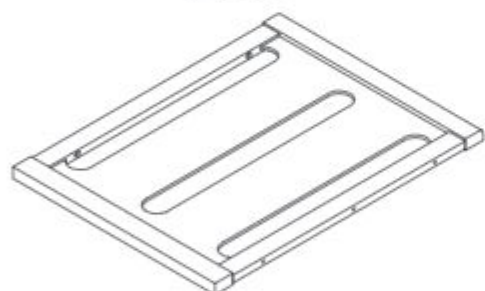
Components



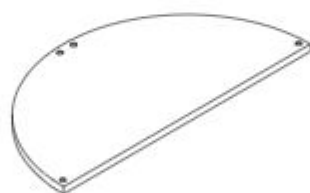
① 1PC



② 3PCS



③ 2PCS

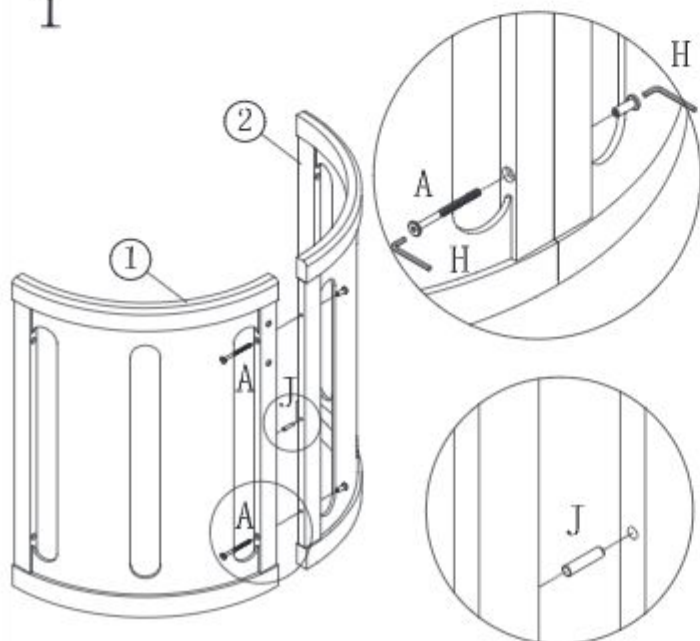


④ 2PCS

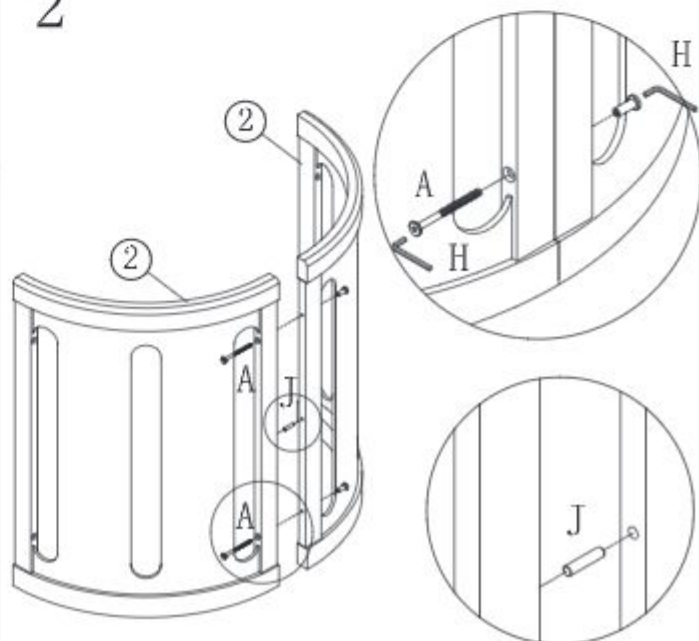


⑤ 1PC

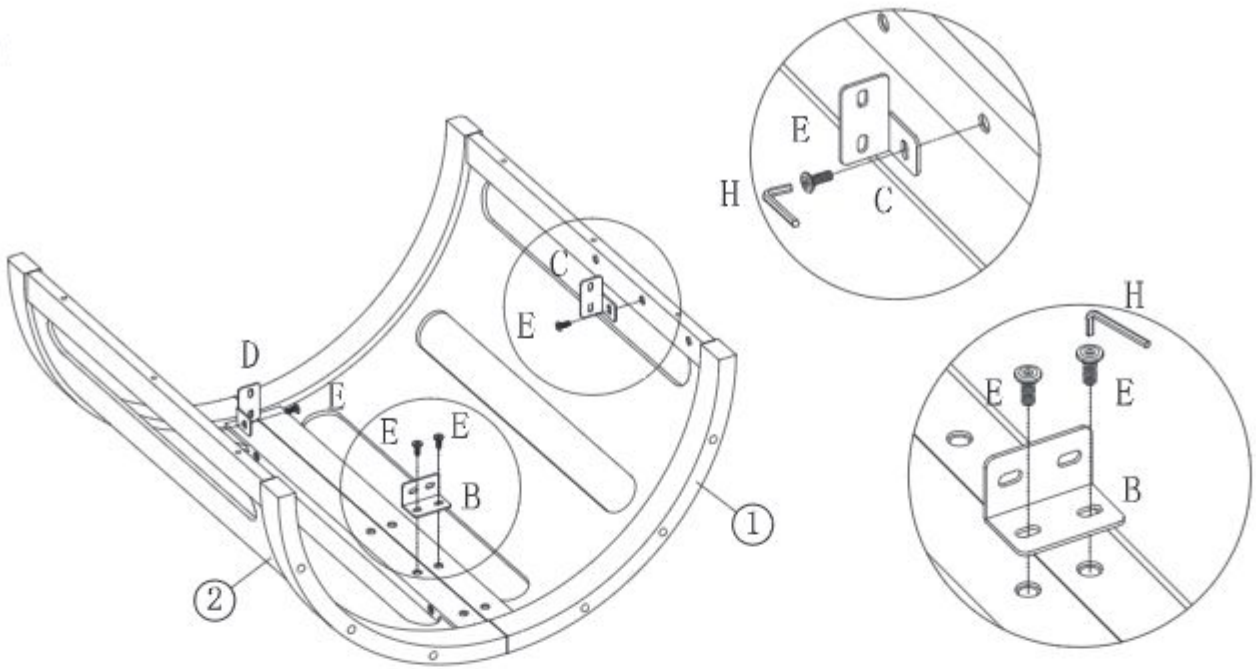
1



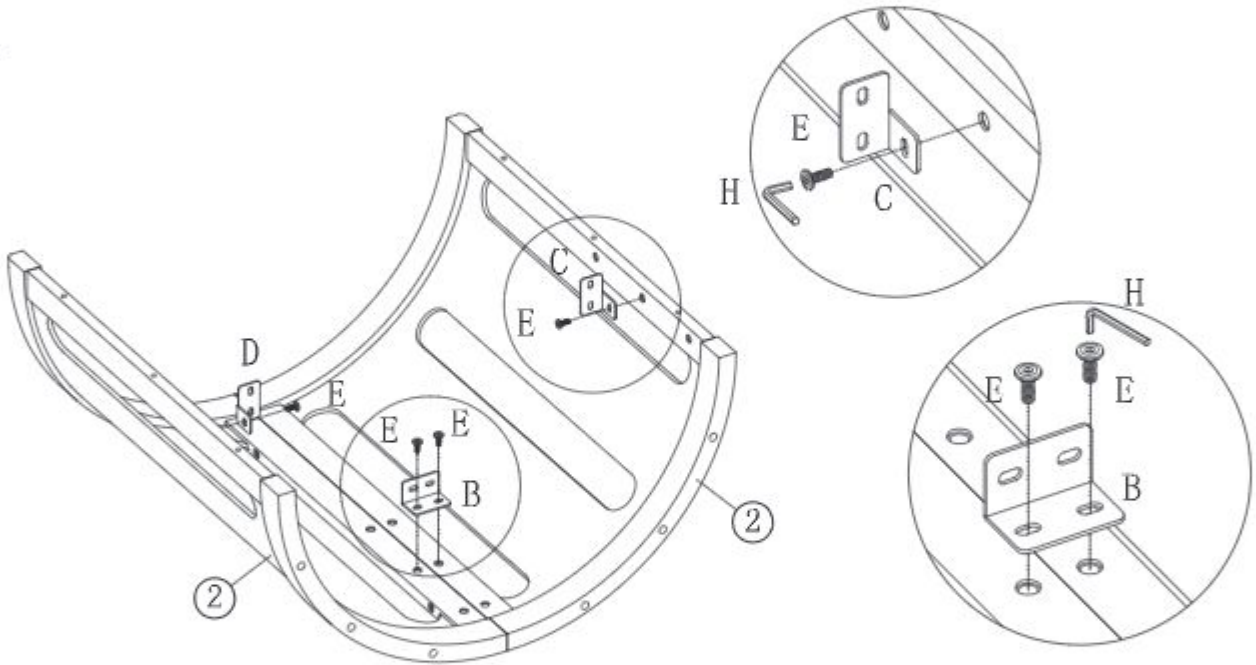
2



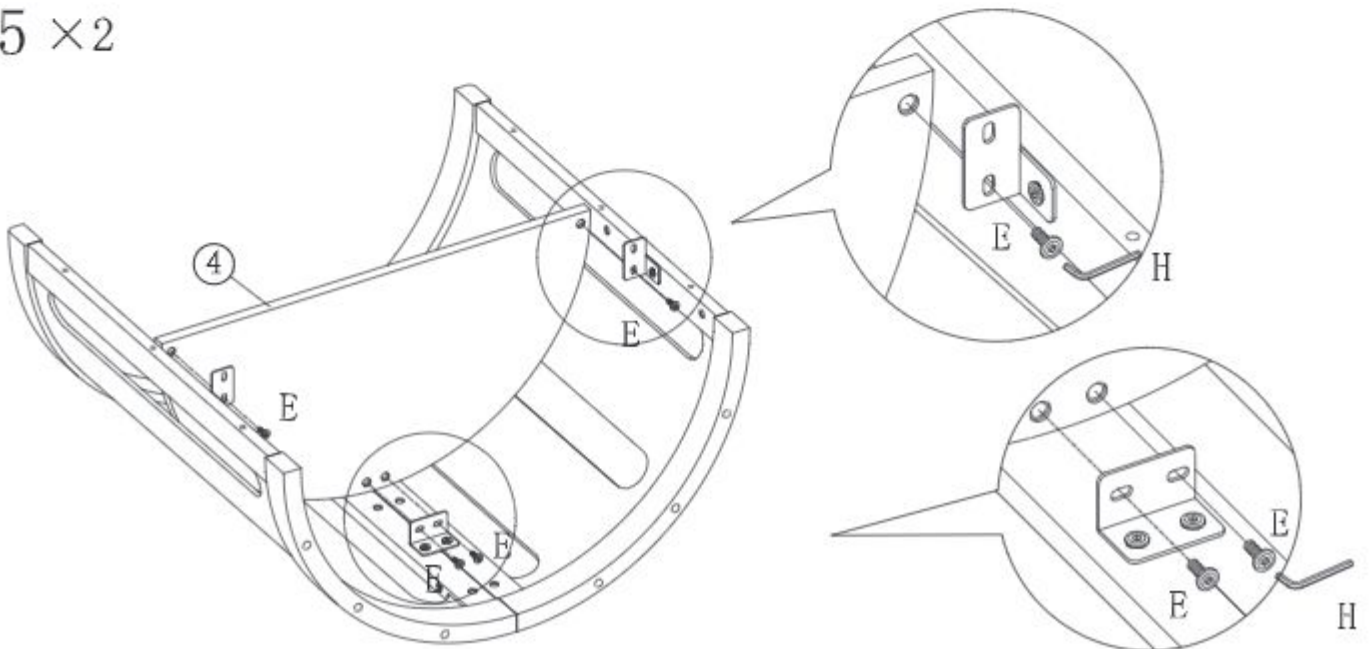
3



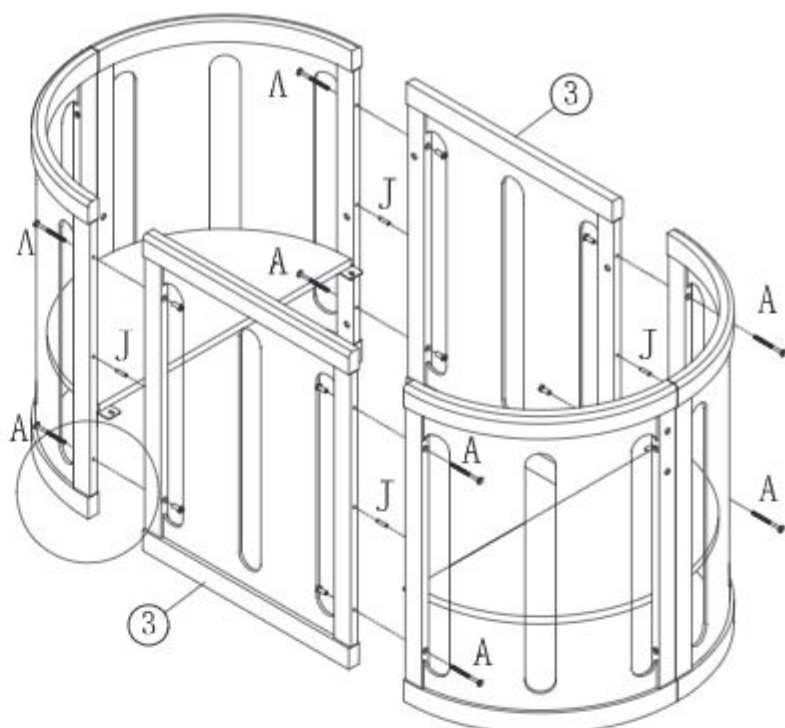
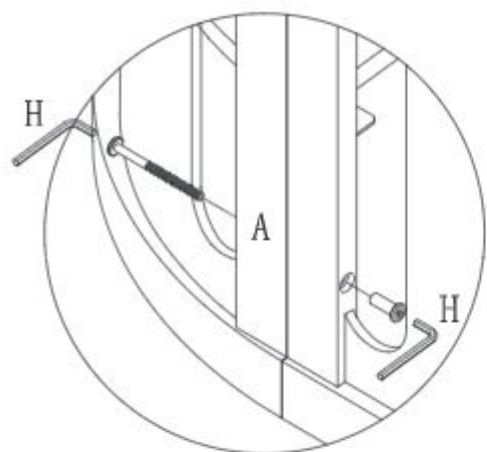
4



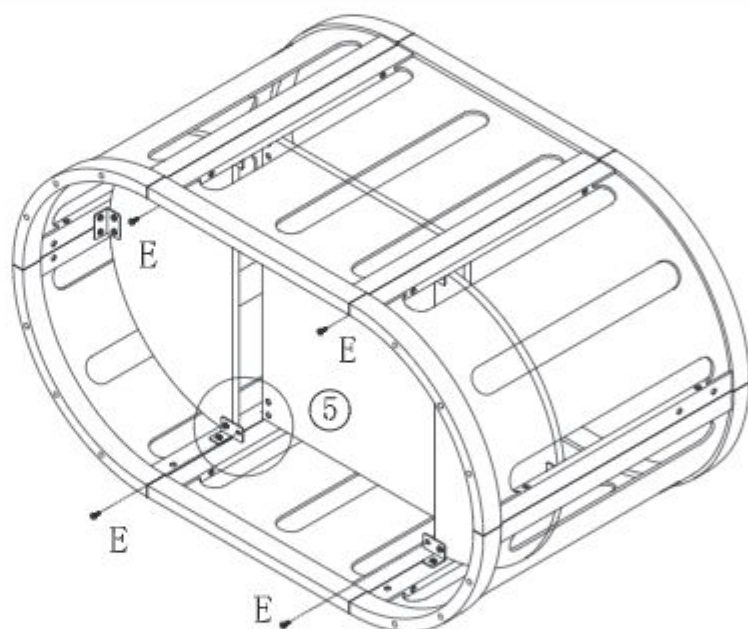
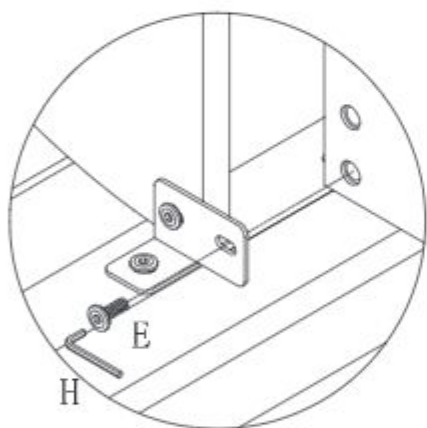
5 × 2



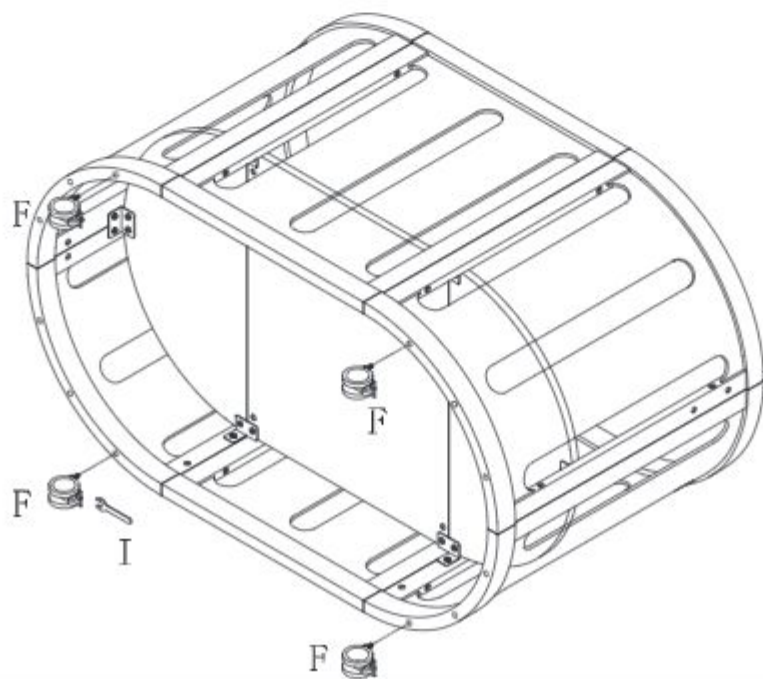
6



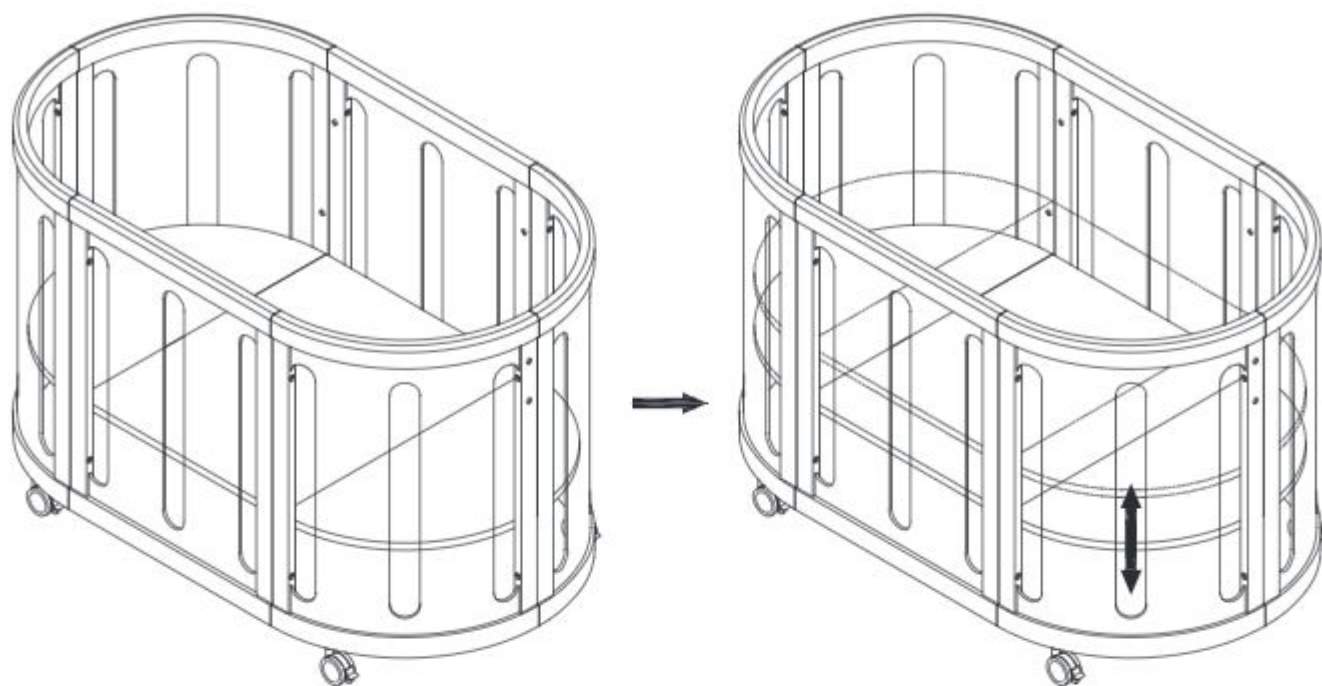
7



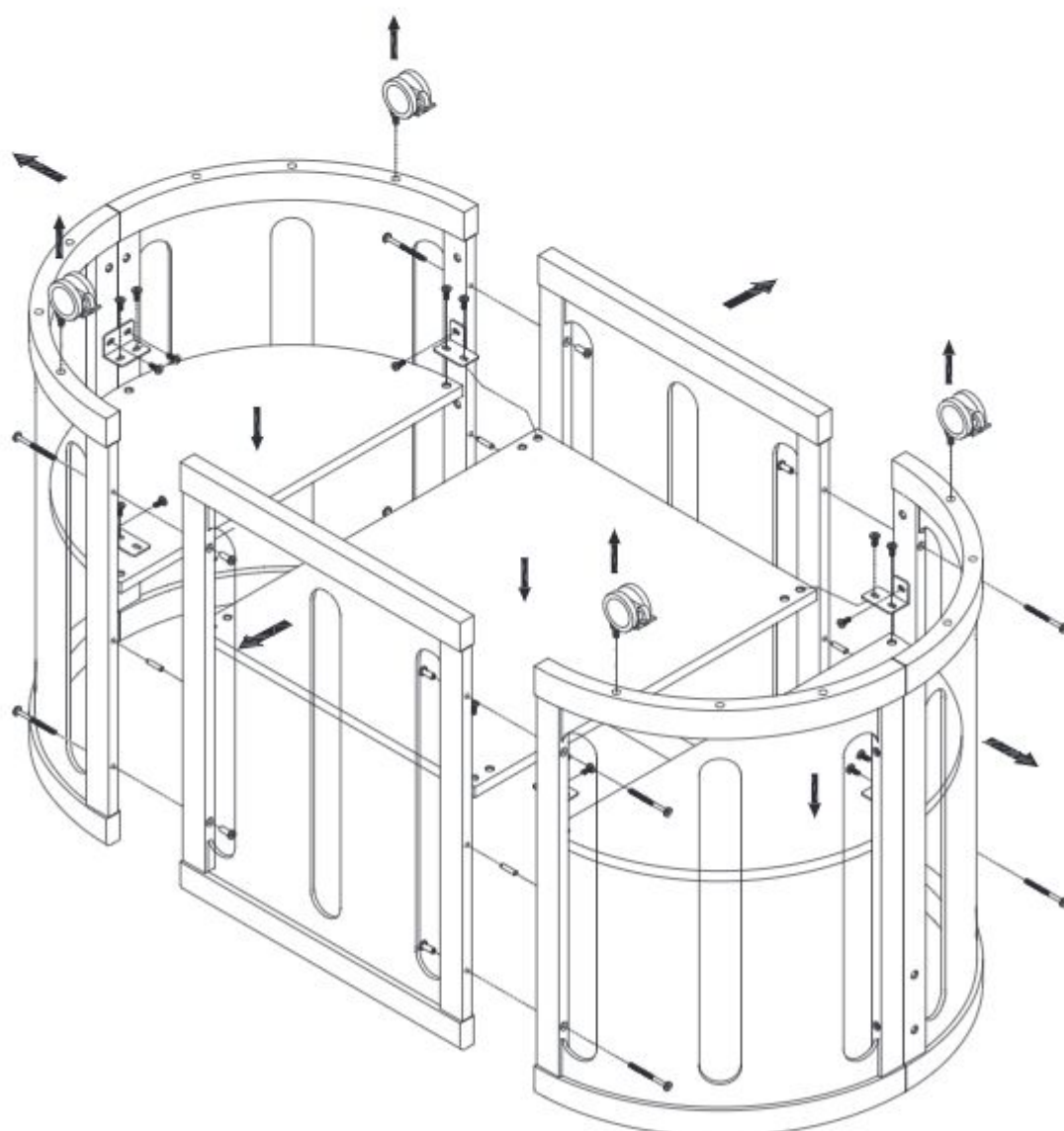
8



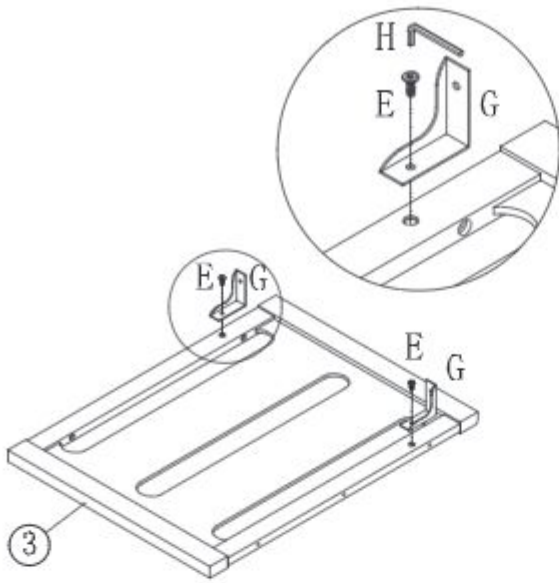
9



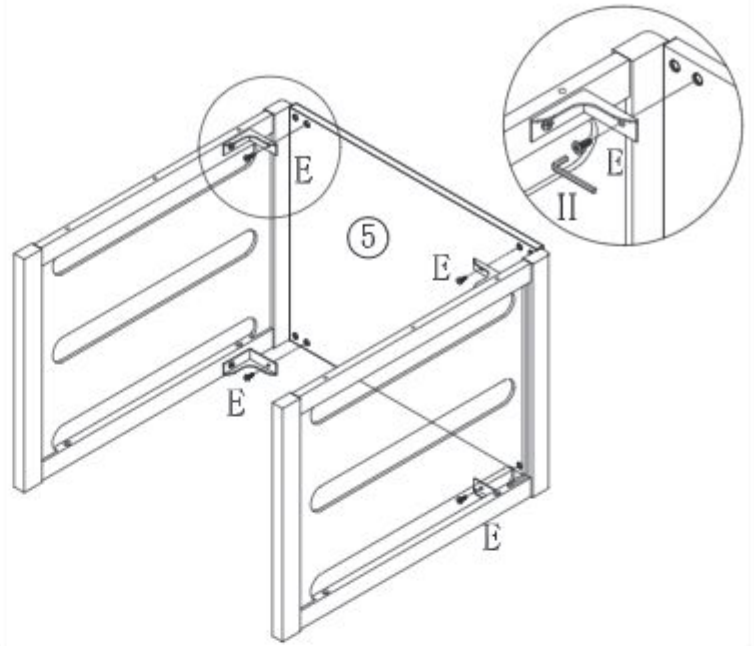
10



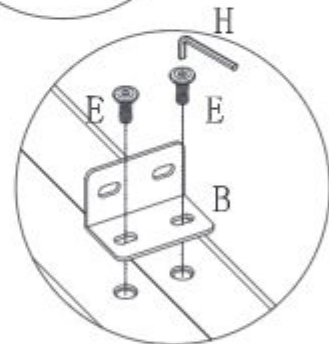
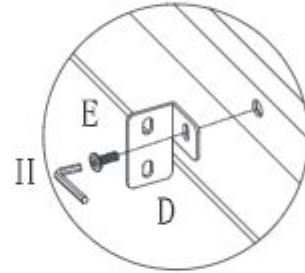
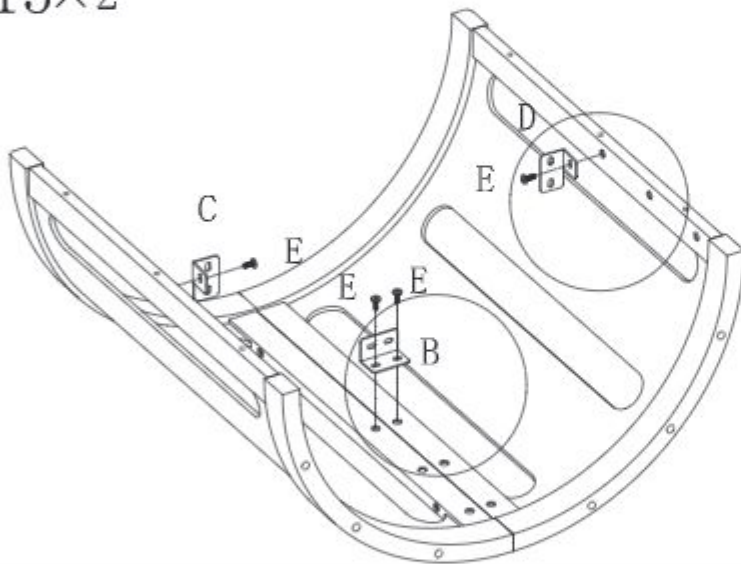
11×2



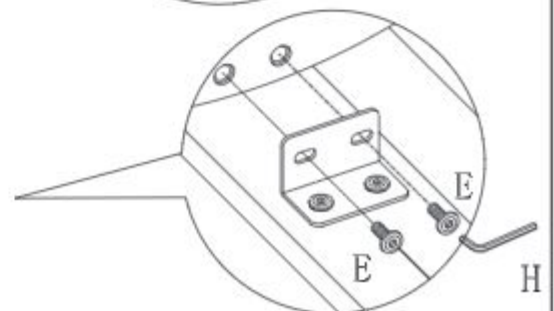
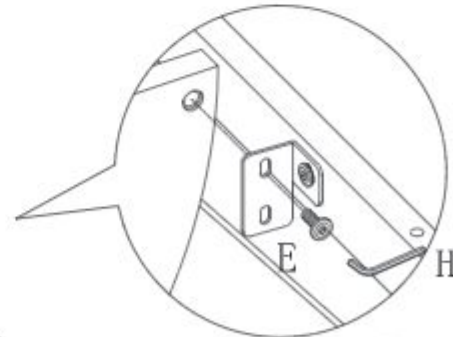
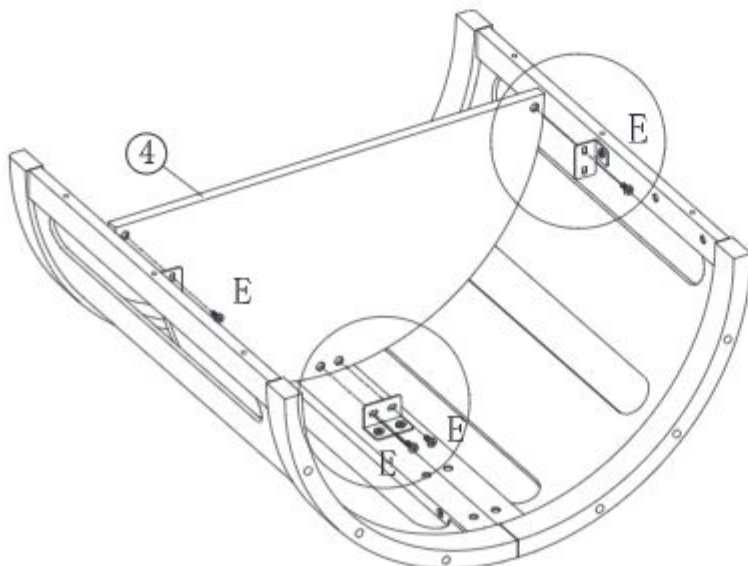
12



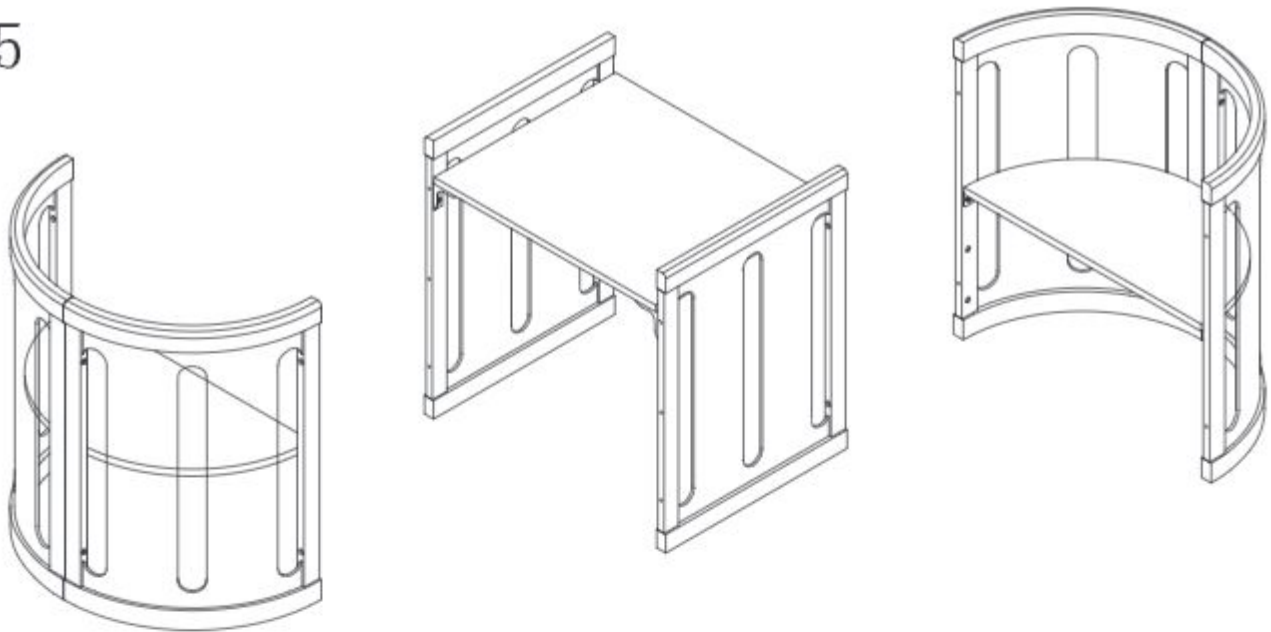
13×2



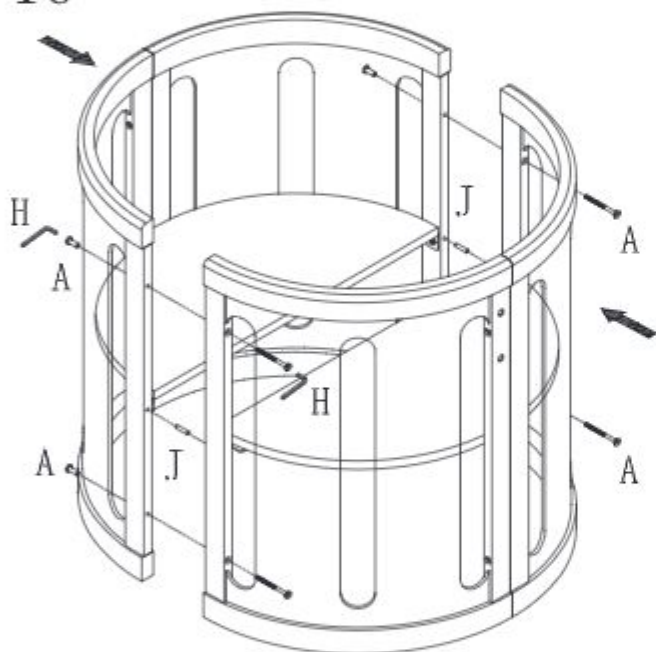
14×2



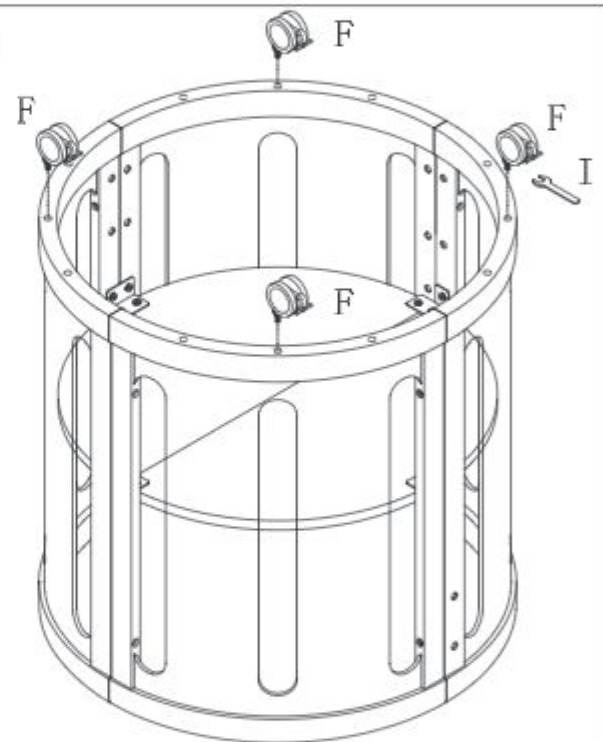
15



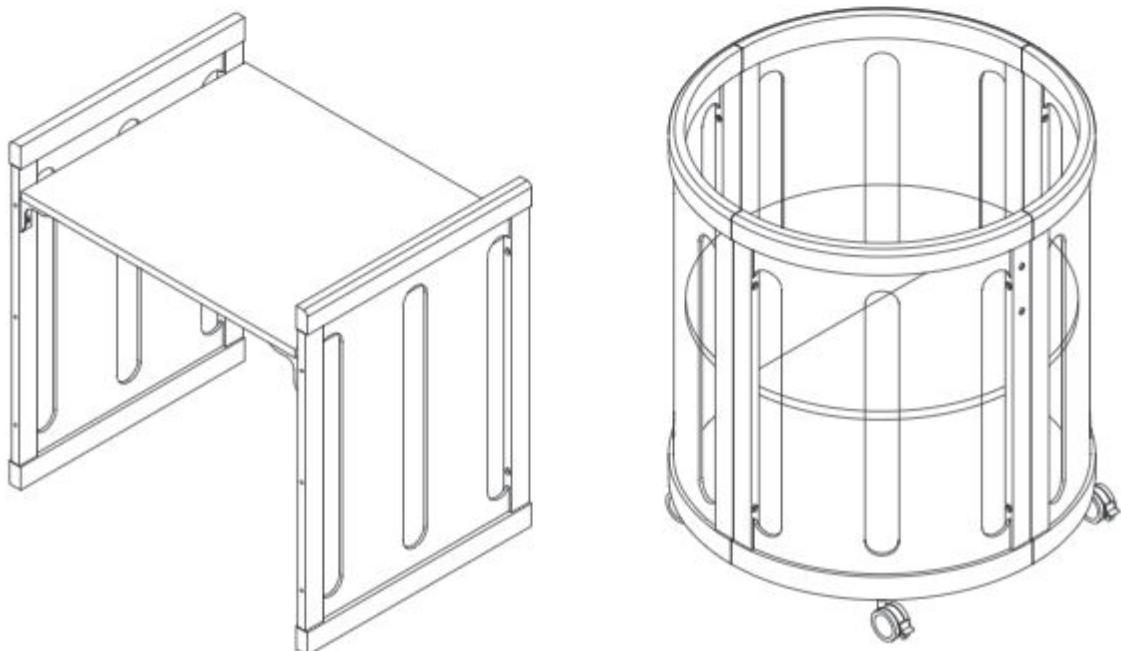
16



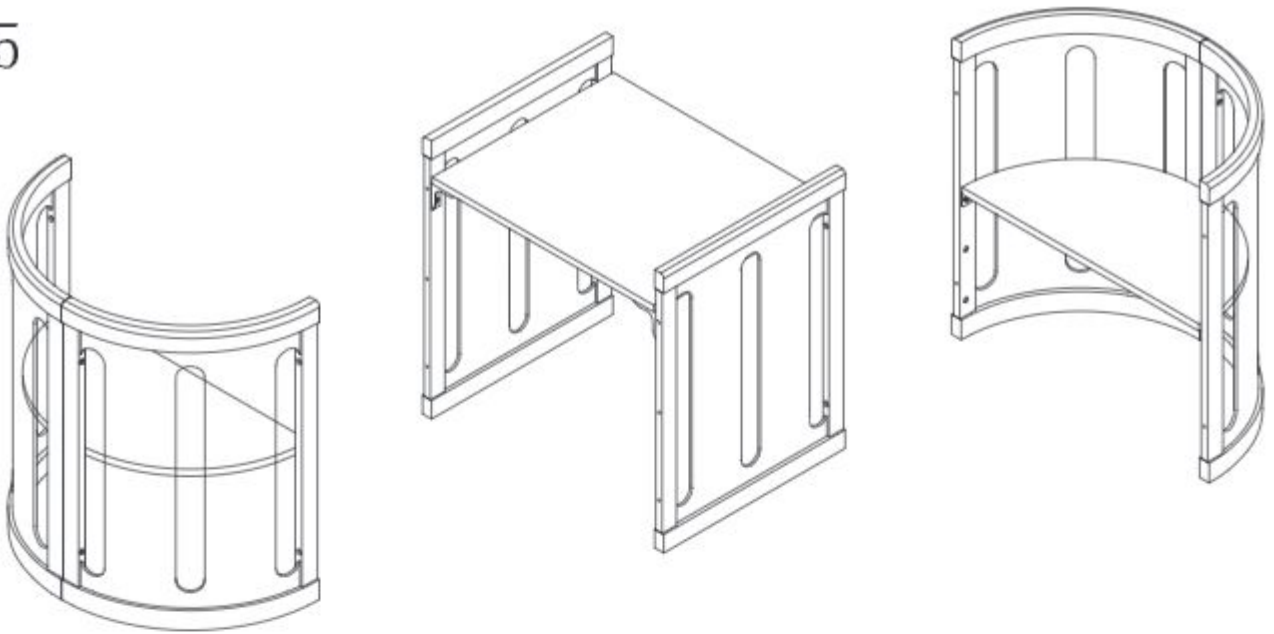
17



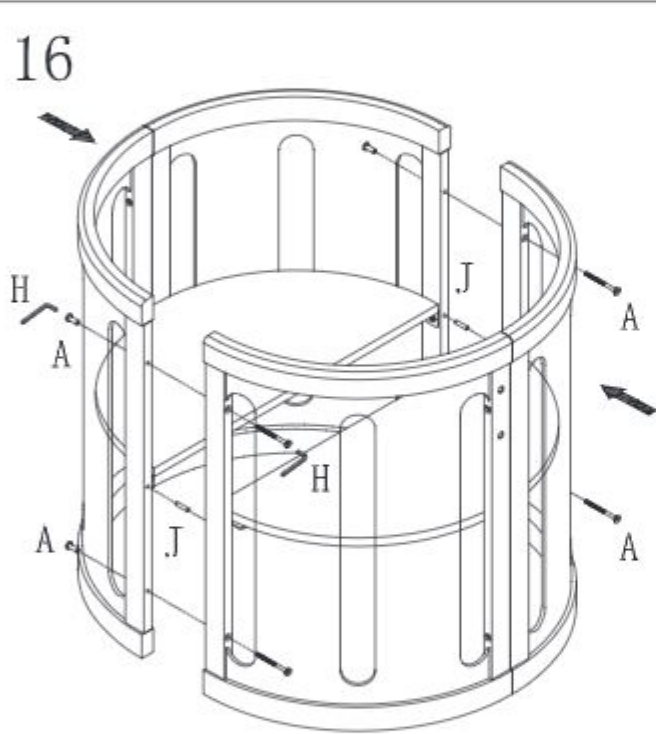
18



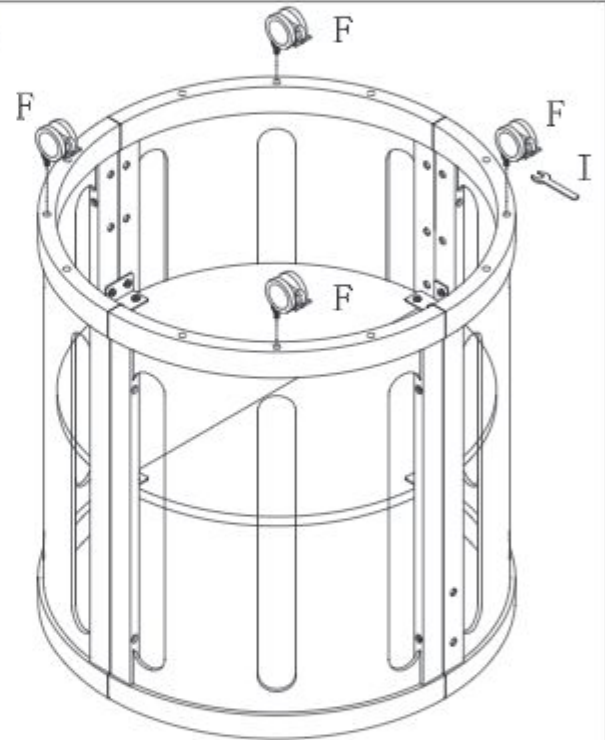
15



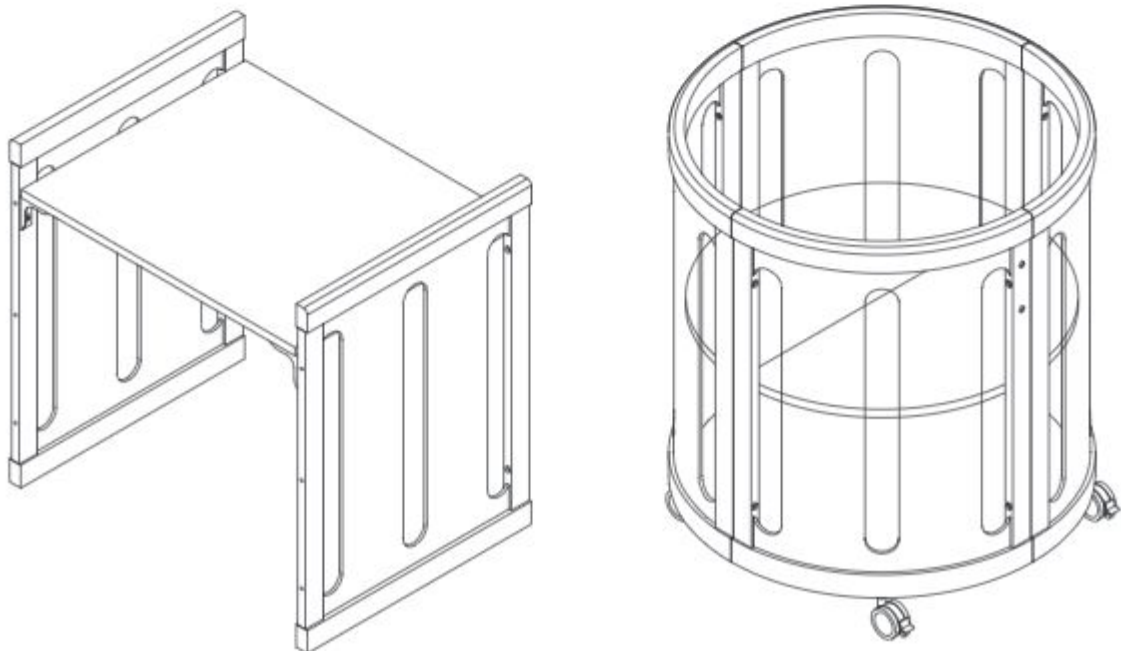
16



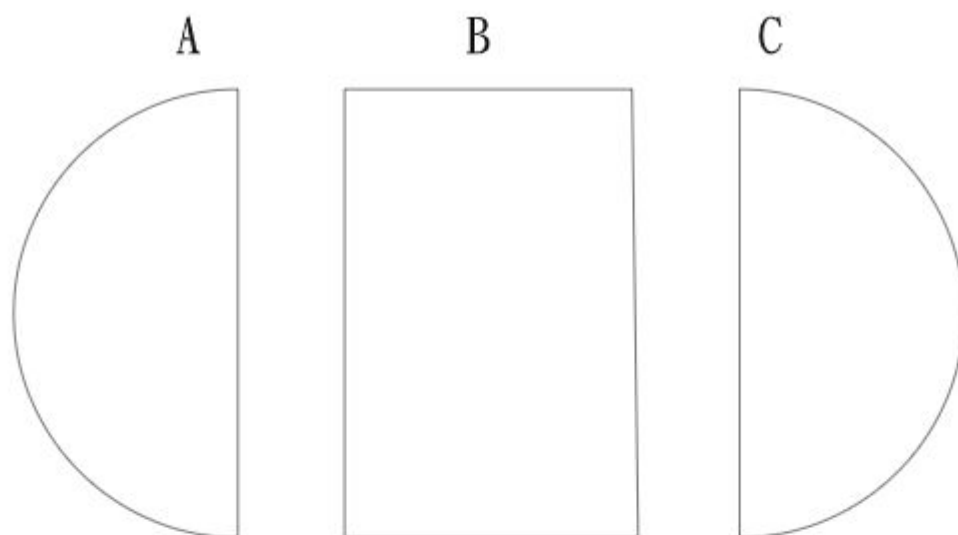
17



18



19 Selina cot sponge mattress as an optional item:



A+C

Baby bassinet mode

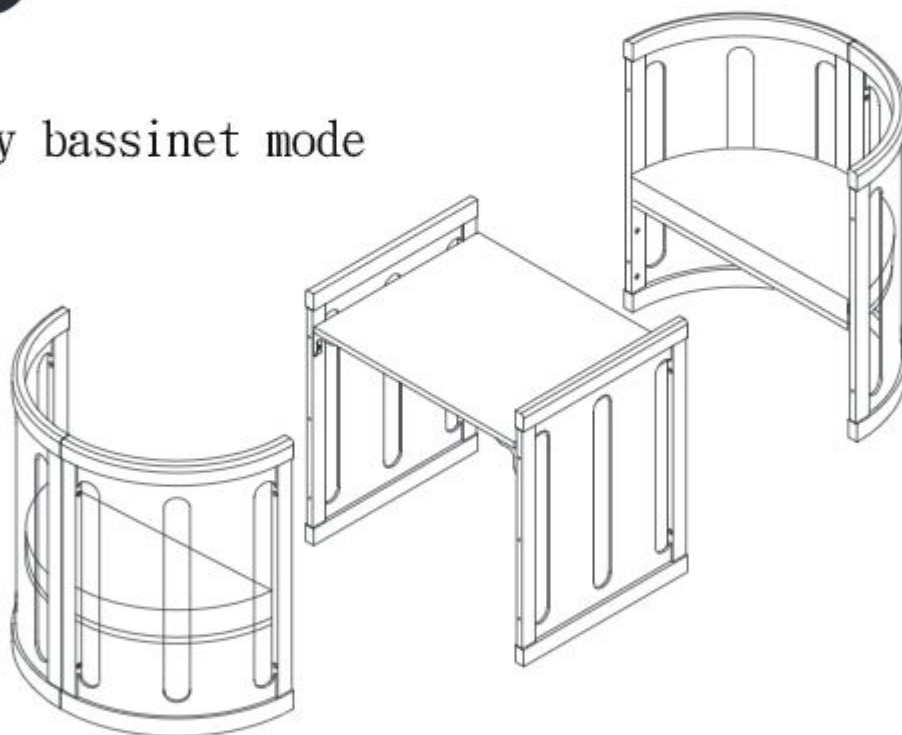
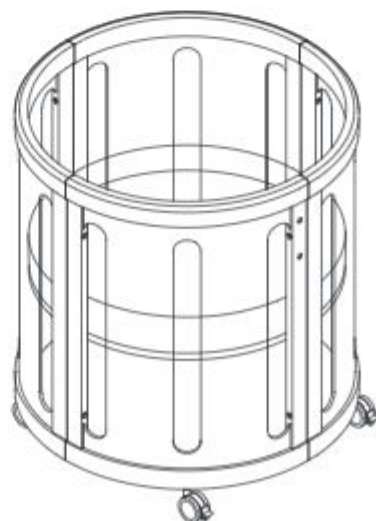
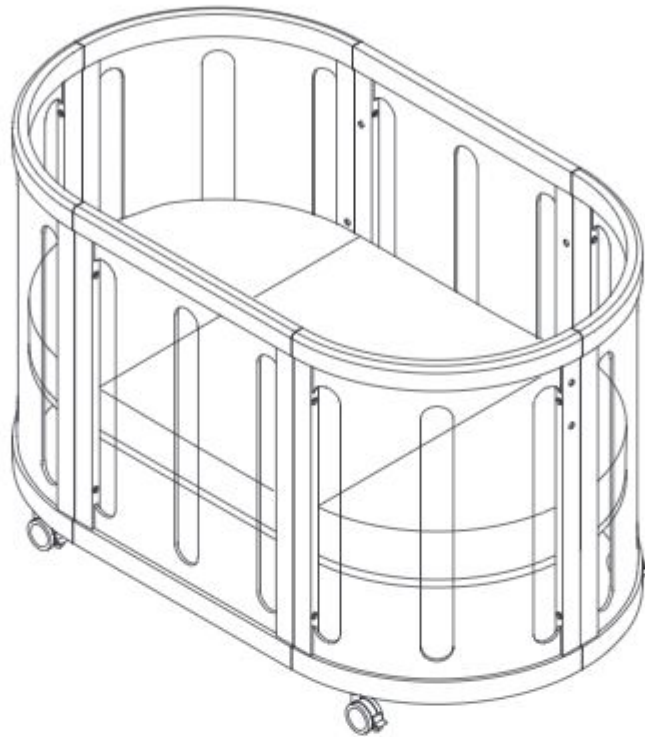


Table and Chair mode

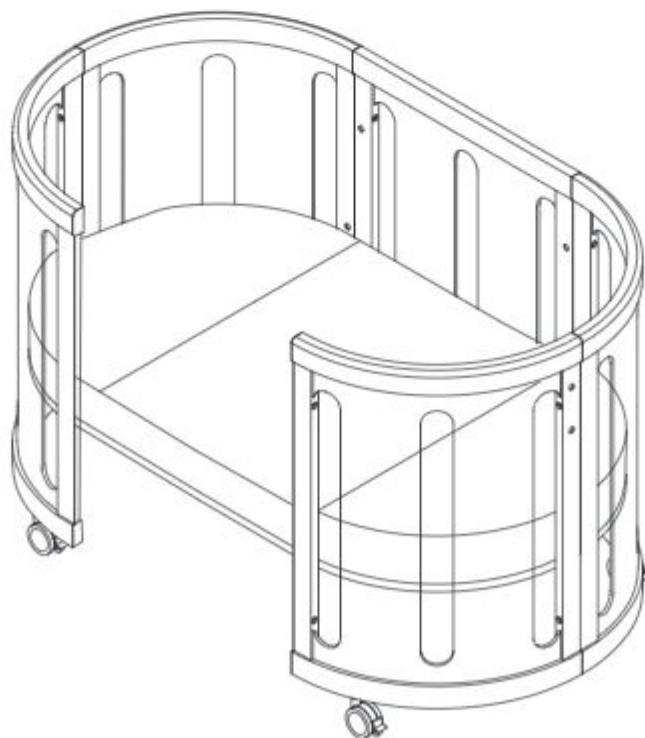


A+B+C

Baby cot mode



Toddler bed mode



SAFETY HINTS\ INSTRUCTIONS OF USE\ WARRANTY & GAURANTEE GUIDELINES

1. Please read this User Guide thoroughly before using this product. If you are not sure on any point in this guide please consult with the sales person whom sold you this product or contact Chelino on 0118352520. Our offices hours are Monday to Thursday from 9:00 am to 13:00 pm and 14:00 pm to 16:30 pm and Fridays from 9:00 am to 12:00 pm and 14:00 pm to 16:30 pm. Our offices are closed on Saturdays, Sundays, Public holidays and for three weeks during the December/ January festive season. We are situated at 12 Kimberlite Road, Theta Ext, Booyens Reserve, 2091, Johannesburg, Gauteng, RSA.

2. To avoid suffocation or swallowing or any other illness, please keep all packaging which have been removed from parts wrapped in the box away from infants, toddlers, children or any other living being. Please carefully dispose of the unwanted packaging once this product is fully assembled and you are satisfied with your purchase.

3. Please make sure that you are entirely satisfied with your purchase before removing the warning card attached to this product and before using this product. Once the warning card has been removed and if this product has been used we will not accept the return of this product.

4. If you are not entirely satisfied with this product purchased, please disassemble this product and re-pack it in the original packaging and return it to the store you purchased it from together with the proof of purchase. Depending on the stores policy, you will either be entitled to a replacement product, a credit voucher or a refund. This depends on the stores policies.

5. If you are not entirely satisfied with the assemble of this product or if you are not 100% sure that you have assembled this product correctly, please take this product back to the store you purchased it from and request for some assistance in checking if the assembly is correct or get this product assembled. Depending on the store's policy, there could be an extra charge for this service. Chelino will not take any responsibility if this product is incorrectly assembled thus causing any sort of injury to the user or the child. Alternatively you can contact Chelino directly on 0118352520,

our offices hours are Monday to Thursday from 9:00 am to 13:00 pm and 14:00 to 16:30 pm and Fridays from 9:00 am to 12:00 pm and 14:00 pm to 16:30 pm. Our offices are closed on Saturdays, Sundays, Public holidays and for three weeks during the December/ January festive season. There is a charge for the assembly of any product. If you require a Chelino representative to assemble this product you will have to bring this product to our offices which are situated at 12 Kimberlite Road, Theta Ext, Booyens Reserve, 2091, Johannesburg, Gauteng, RSA.

6. Please note, that any repair which will need to be made to this product must be done at the Chelino workshop which is situated at 12 Kimberlite Road, Theta Ext, Booyens Reserve, 2091, Johannesburg, Gauteng, RSA. Our offices hours are Monday to Thursday from 9:00 am to 13:00 pm and 14:00 pm to 16:30 pm and Fridays from 9:00 am to 12:00 pm and 14:00 pm to 16:30 pm. Our offices are closed on Saturdays, Sundays, Public holidays and for three weeks during the December/ January festive season. We do not provide any loan/courtesy products while your product has been sent in for repairs. Chelino requires 7 working days to repair any product, but this lead time may vary depending on the transportation of the product too and from yourself. Once the warranty card is detached from this product and once this product is used even if used once and if there is a fault, this product will need to be sent to the Chelino Workshop for the repair and no refund/credit/exchange will be allowed. Only a Chelino representative can decide whether the product needs to be replaced/credited/exchanged.

7. Once you are satisfied with the assembly of this product and have read this instruction and agree to the terms stated and are ready to use this product, please ensure that all safety locks are engaged to ensure safe use of this product.

8. Never leave the child unattended or without parent/guardian supervision while in this product, as injury could be caused by other parties intentionally or unintentionally.

9. Never lift or wheel this product while the child is in it. This can cause this product to fold and thus causing injury to the child seated in this product. When confronted with a staircase, no matter how many steps there are,

please use the alternatives or remove the child from this product before using the staircase.

10. Do not use this product if the enclosed or attached assembly cannot be strictly adhered to. Do not place cords, straps or similar items that would harm the child. Ensure that the sides are properly latched or locked in place when this product is in use.

11. Do not suspend strings over this product or attach strings to the toy bar.

12. Do not place pads or other objects inside this product that may assist the child in climbing out.

13. Do not use this product in baby cot mode if the child is able to climb out unaided or is taller than 89cm. the recommended period for use of this product is for a child under 14kg or less.

14. Never allow the child to stand on the bassinette of this product. This can cause this product to fall over thus causing injury to the child. If the child is able to lift itself up drop the bassinette to the lower level.

15. Do not place this product near to a window where cords from blinds or drapes can strangle a child.

16. Do not use this product if any parts are broken, torn or missing.

17. Do not use a water mattress in this product.

18. Never use plastic bags or cellophane as a mattress cover. This can cause suffocation.

19. This product is designed for the use of only one child. This product cannot accommodate more than one child.

20. Always engage the brake when you are not using this product. Please note, by applying the brake one still cannot leave the child unattended and without parent supervision. If the brake is not engaged properly the product will move.

21.Prevent and do not allow any child to climb on to any part of this product. This imbalance of weight can cause this product to topple thus causing injury.

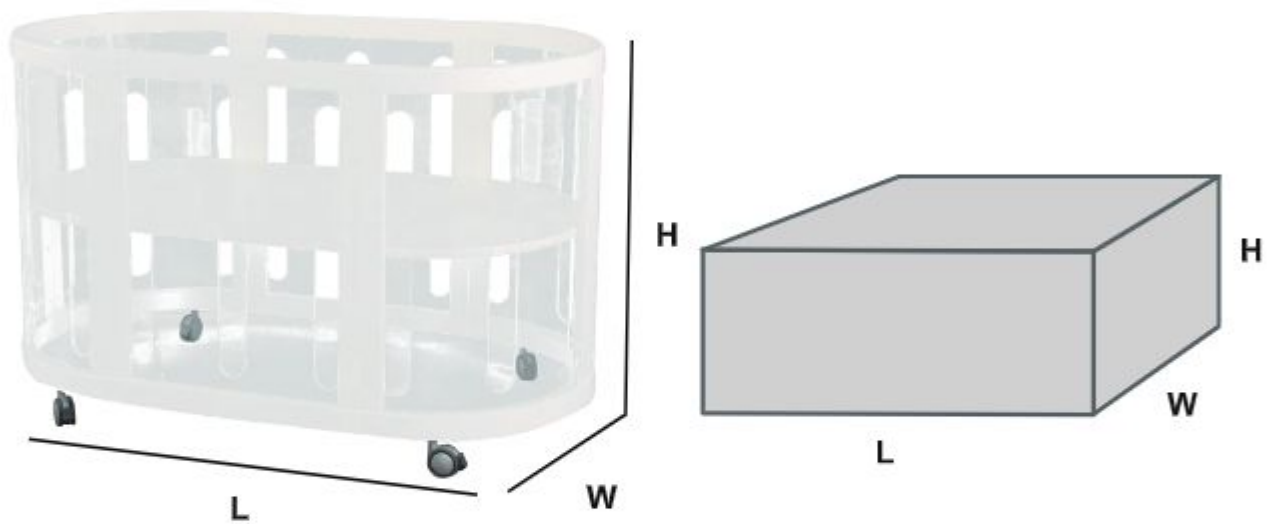
22.Storage compartments are there for convenience and are not suitable for holding large or heavy objects. These areas are also not waterproof or leak proof and spillage can occur.

23.If this product is provided with a mosquito net, please ensure that it is correctly fitted to avoid suffocation.

24.Chelino takes no responsibility and will not be held liable for any damage or injury caused by using this product or if this product is used for any other purposes other than its intended purpose.

25.Please note, there are no warranties or guarantee on any fabric or on the mobile units of this product.

Dimension Info



LENGTH	132 CM	CARTON LENGTH	83.5 CM
WIDTH	75 CM	CARTON WIDTH	65 CM
HEIGHT	82 CM	CARTON HEIGHT	40.3 CM

WEIGHT 35 KGS

ChelinoBaby®

Stores: ChelinoBaby – Ormonde – JHB
ChelinoBaby – Fourways – JHB
ChelinoBaby – Greenstone – JHB
ChelinoBaby – Menlyn – Pretoria
ChelinoBaby – Kolonnade – Pretoria
ChelinoBaby – Centurion – Pretoria
ChelinoBaby – Gateway – Durban
ChelinoBaby – Online – www.chelinobaby.co.za



Imported for :

ChelinoBaby Group of Companies.

No. 12 Kimberlite Road , Theta Ext 5 ,

Booyens Reserve , JHB , 2091. SA.

Tel: +2711 8352520

Info: info@chelinoplatinum.co.za