



Stores: ChelinoBaby – Ormonde – JHB  
ChelinoBaby – Fourways – JHB  
ChelinoBaby – Woodmead Square – JHB  
ChelinoBaby – Greenstone – JHB  
ChelinoBaby – Centurion – Pretoria  
ChelinoBaby – Menlyn – Pretoria  
ChelinoBaby – Kolonnade – Pretoria  
ChelinoBaby – Gateway – Durban  
ChelinoBaby – Cavendish Square – Cape Town  
ChelinoBaby – Online – [www.chelinobaby.co.za](http://www.chelinobaby.co.za)



Imported for :

ChelinoBaby Group of Companies.

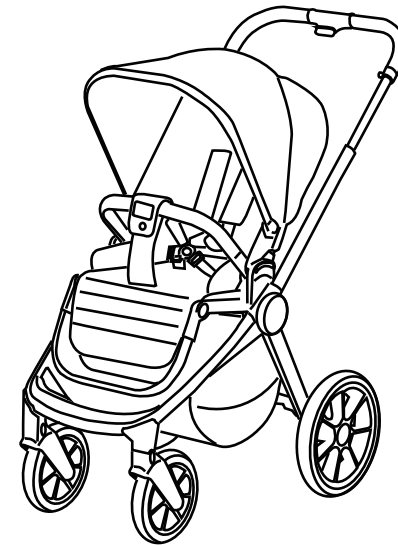
No. 12 Kimberlite Road , Theta Ext 5 ,

Booyens Reserve , JHB , 2091. SA.

Tel: +2711 8352520

Info: [info@chelinoplatinum.co.za](mailto:info@chelinoplatinum.co.za)

**Chelino**  
PLATINUM



BELLA

---

CHELINOBABY GROUP OF COMPANIES  
NO. 12 KIMBERLITE ROAD, THETA EXT 5,  
BOOYSENS RESERVE, JHB, 2091.SA.  
+27 11 835 2520



## Safety Requirements

Warnings .....	02
Safety Precautions .....	02
Care and Maintenance .....	03
Laundry Precautions .....	03






## Components .....

## Assembly Instructions

Frame Installation .....	05
Rear Wheels Installation • Removal .....	06
Front Swivel Wheels Installation • Removal .....	07
Locking Device .....	08
Main Seat Installation .....	09
Switch Facing Directions .....	09
Safety Bar Installation .....	10
Main Seat Installation .....	11
Handle Height Adjustment .....	12
Footrest Adjustment .....	13
Backrest Adjustment .....	14
Folding .....	15
Safety Belt Usage .....	16
Safety Belt Removal .....	17
Fitting the Inner Seat - Release the Buckle .....	18
Fitting the Inner Seat - Combine with the Shoulder Belts .....	19
Fitting the Inner Seat - Combine with the Waist Belts .....	20
Fitting the Inner Seat - Combine the Buckles .....	21

## Warnings

For safety precautions and proper use of the product, read these instructions carefully before use and keep for future reference

-  Never leave your child unattended
-  The stability of the stroller may be compromised if heavy objects are hung on the handle
-  Make sure that all locking devices are locked before use
-  The safety belt MUST be fastened before use
-  For babies under 6 months old, the reclined degree of the backrest MUST maintain above 150°

## Safety Precautions Please comply with the following instructions for precautions

- Continuous use within 2 hours is recommended.
- The safety belt MUST be fastened before use.
- Do NOT place additional mattress on the seat.
- After fastening the seat belt, adjust its length to fit the child's body to prevent slipping out.
- The speed of the stroller should be limited within the guardian's walking speed.
- Do NOT lift the stroller with the child inside.
- Do NOT use the stroller on steep hills, stairs, escalators, sand, mud and bumpy roads.
- Do NOT let the child stand on the stroller.
- This stroller is designed to be used by one child at a time.
- The maximum weight of use is 22KG.
- Put only 3KG or less in the shopping basket.
- Do NOT place the product near the fire.
- It may be dangerous if the stroller is overloaded. (or the luggage cross the edge of the basket)
- Press down the brake pedal for stopping.
- Keep all packaging away from baby to avoid suffocation.
- Inspect the screws, bolts and nuts regularly.
- Do NOT use components other than the ones provided by the manufacturer.
- A type: newborn ~ 22KG (approx. to 36 months) / Age of Use: 0 ~ 36 months old.

Due to variation on the styles and designs of our products, the photographs and illustrations shown in this manual are generic. Therefore products fabric, colour and design may vary from images shown, Chelino reserves the right to alter products specifications

**Care and Maintenance** For the correct use of the stroller, please comply with the following instructions.

Wash the canopy / safety belts / main seat with brush, drain the water and dry in the shade.

Rub the severely contaminated region with dilute detergent, drain the water and gently dust off the specs.

Rub it again with wet cloth, then wipe the remaining moisture with dry cloth.

The frame will become grimy and aging if the moisture is not removed.

Do NOT use bleach. Dry the washed cushion in the shade and do NOT use the machine to dry it.

Do NOT expose the stroller to direct sunlight for long hours. The plastic and fabric parts of the stroller may be discolored.

If the backrest cushion is damaged or torn, STOP using and contact the Customer Service Center.

**Laundry Precautions**



- Wash in 30°C water temperature
- Soft hand wash available
- Use neutral detergent



• Do NOT Bleach



• Do NOT iron

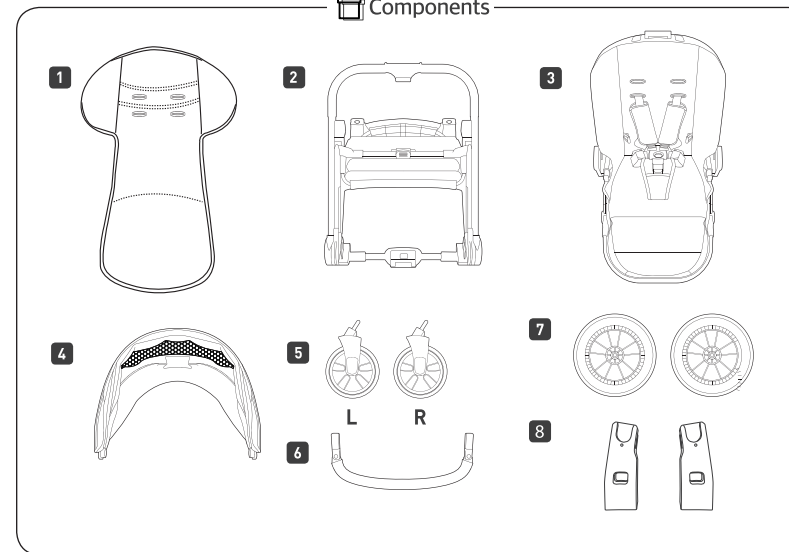


• Do NOT dry clean



• Do not tumble dry

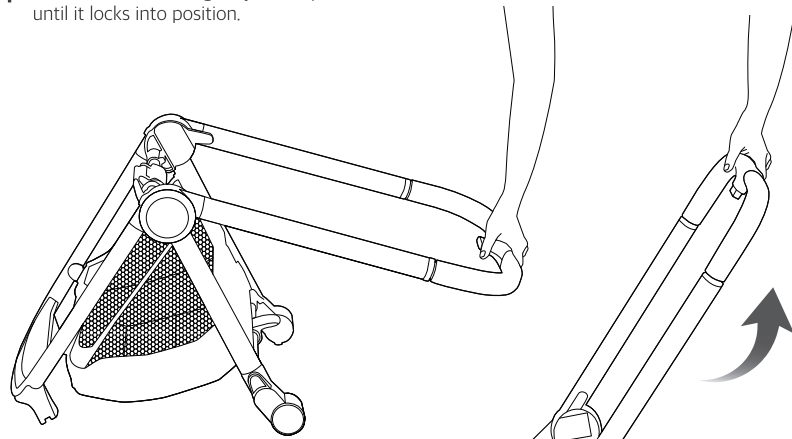
**Components**



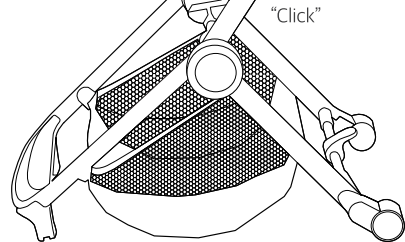
- 1** ..... Inner seat (Optional)
- 2** ..... Frame
- 3** ..... Main seat
- 4** ..... Canopy
- 5** ..... Front Swivel Wheels
- 6** ..... Safety Bar
- 7** ..... Rear Wheels
- 8** ..... Car seat Adapter

## ✓ Frame Installation

- 01** Hold the handle and gently lift it upwards until it locks into position.

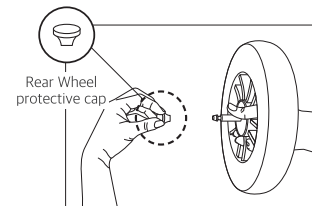


- 02** After audible "click" on both sides, check if the handle is completely fixed.

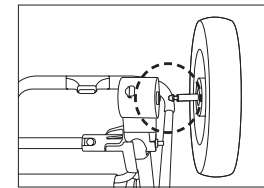


## ✓ Rear Wheels Installation

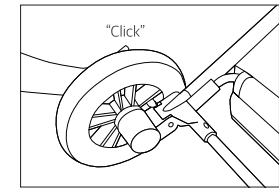
- 01** Remove the protective caps on the connecting pieces of both rear wheels.



- 02** Take a rear wheel unit and insert its connecting piece into rear wheel housing until it clicks into position.

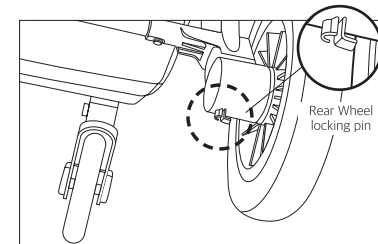


- 03** Install the other side with the same methods.

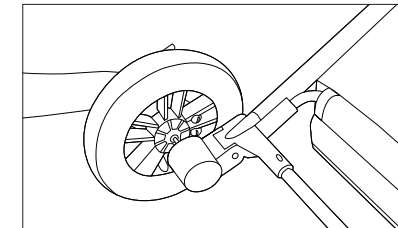


## ✓ Rear Wheels Removal

- 01** Pull and hold the locking pin at the bottom surface of connecting piece to the rear wheel.

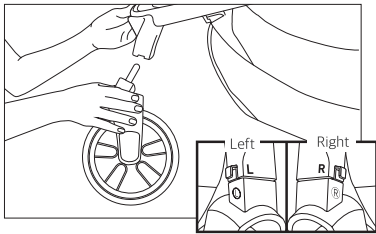


- 02** Remove the rear wheel by pulling it out in the direction of the arrow.

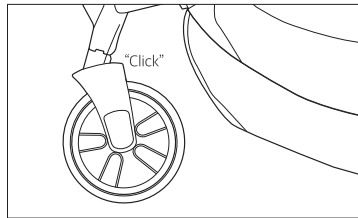


☑ Front Swivel Wheels Installation

**01** Check the L,R direction marks on the frame and the front wheels, then take a front wheel unit and insert its connecting piece into the plastic hole upward accordingly until it clicks into position.

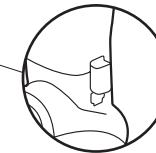
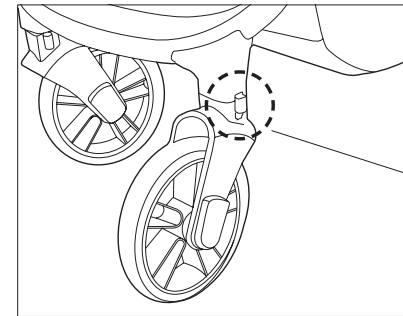


**02** Install the other side with the same methods.



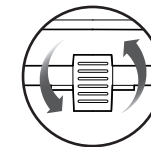
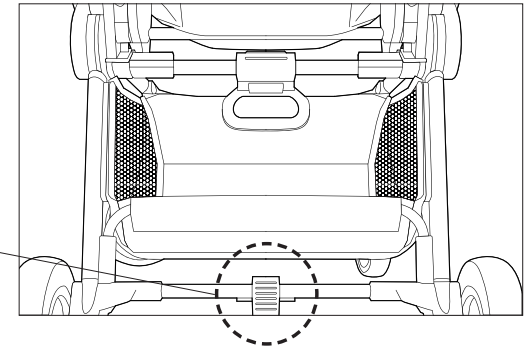
☑ Locking Devices

**01** Raise the locking buttons on the front swivel wheels to lock the direction of the wheels; Lower it to unlock the front swivel wheels



Locking button

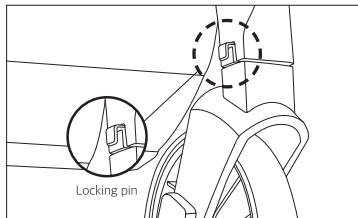
**02** Press down the brake pedal on the middle of the rear axle to engage the brake; Raise the pedal to release the brake.



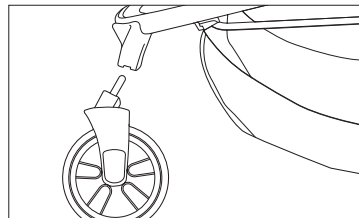
Brake Pedal

☑ Front Swivel Wheels Removal

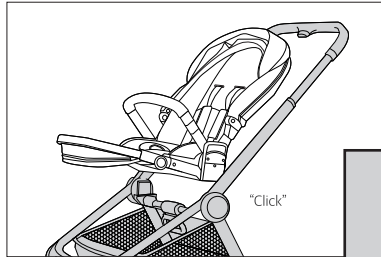
**01** Push and hold the inward locking pin in the direction of the arrow.



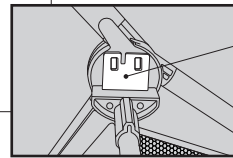
**02** Remove the front wheels by pulling them in the direction of the arrow.



☑ Main Seat Installation



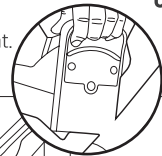
**01** Push down the seat gently on the frame until a firm “click” (The seat can also be installed on the opposite direction)



Connectors on the inward frame

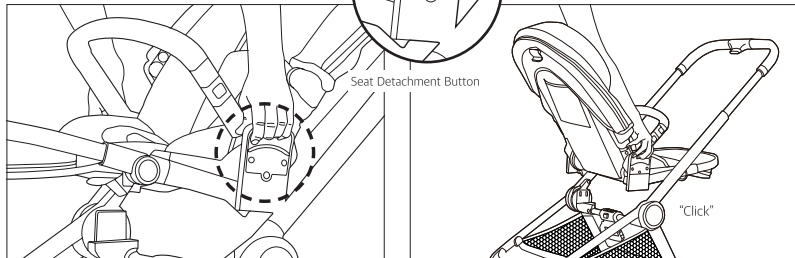
☑ Switch Facing Directions

**01** Pull the detachment buttons upward on both sides simultaneously and lift the seat.

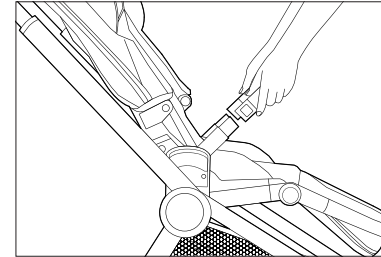


Seat Detachment Button

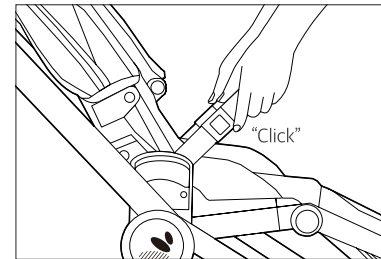
**02** Change the direction of the seat as shown in the picture and install it on the frame.



☑ Safety Bar Installation

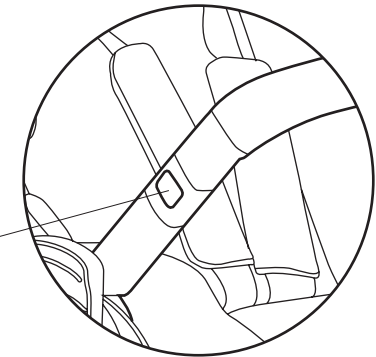


**01** Install the safety bar in the connectors on both sides of the seat.



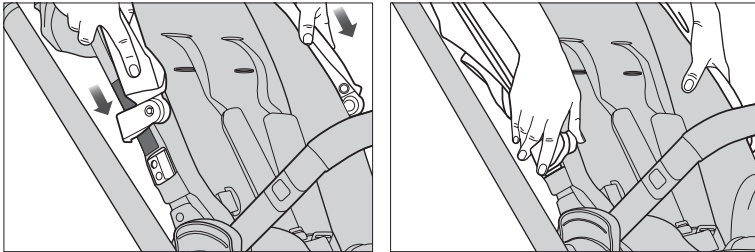
**02** Insert it thoroughly with a firm “Click”

Push this button to detach the safety bar



☑ Canopy Installation

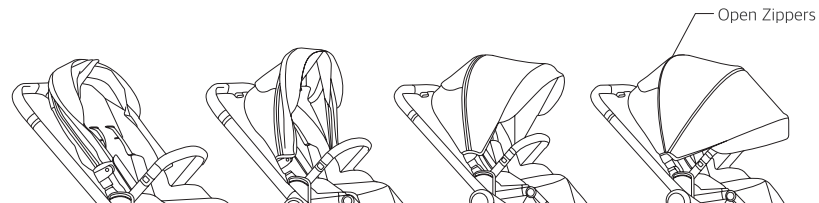
**01** In front facing, insert the canopy into both sides of the seat.



**02** Attach the Velcro on both sides and upper Velcro.

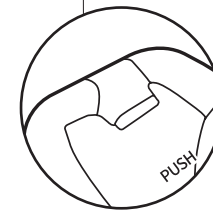
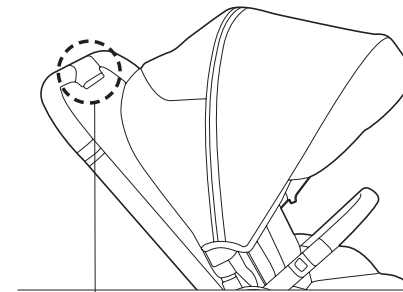


**03** The canopy can be unfolded and folded in the direction of the arrow.

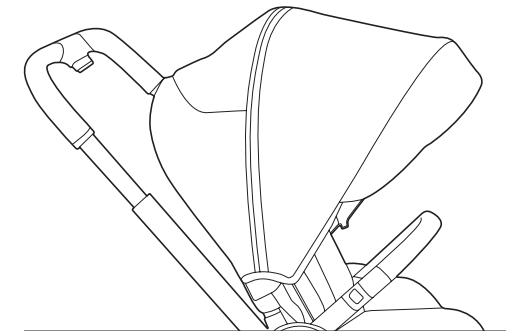


☑ Handle Height Adjustment

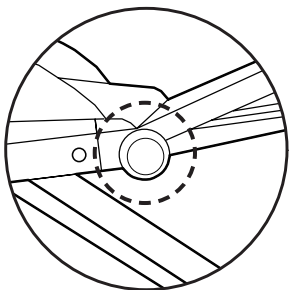
**01** Push and hold the button on the inward handle to adjust the height of the handle  
Handle adjustment button.



Handle adjustment button

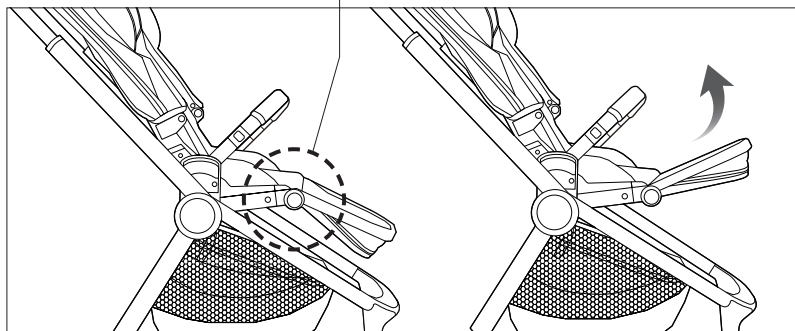


✓ Footrest Adjustment

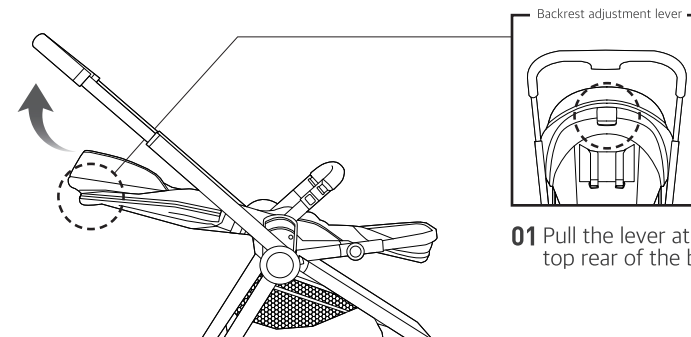


01

Press and hold the buttons on the both sides as shown in the picture to adjust the reclined degree of the footrest.

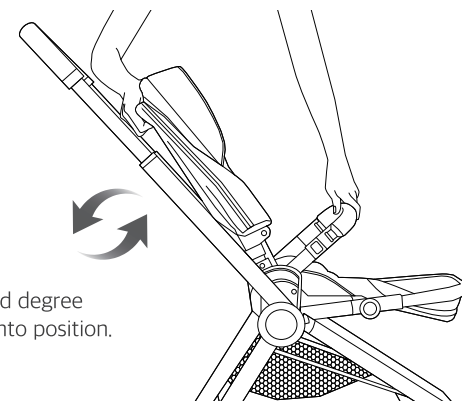


✓ Backrest Adjustment



01 Pull the lever at the top rear of the backrest.

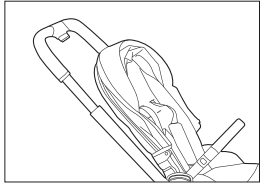
02 Adjust to the desirable reclined degree and release the lever to lock into position.



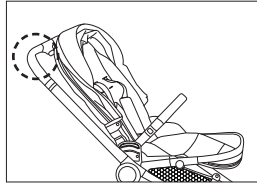


✓ Folding

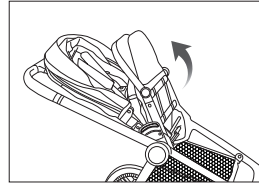
**01** Lower the height of the handle to the end.



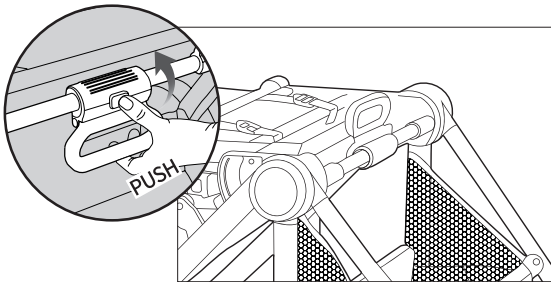
**02** Press the button on the handle and fold forward facing.



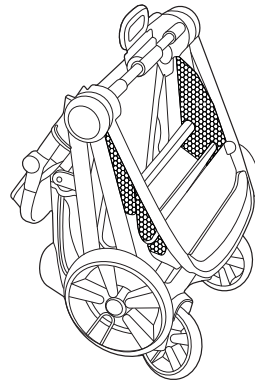
**03** Fold the footrest upward as shown in the picture.



**04** Press and hold the button on the folding handle at the bottom of the seat, turn the handle upward and lift it.



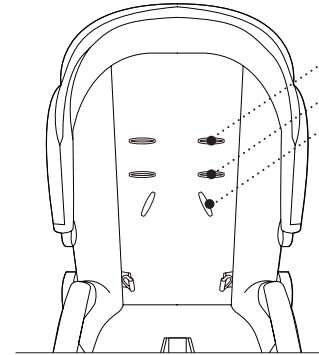
**05** The completed folding form.



✓ Safety Belt Usage

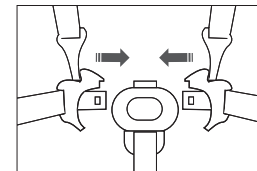
Applicable ages

- Above 6 months
- Under 6 months

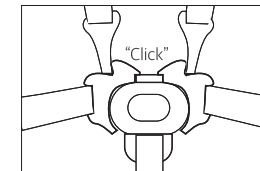


The safety belt is available in 2 ways: upper • lower. Upper part is applicable for child above 6 months old, Lower part is applicable for child under 6 months old.

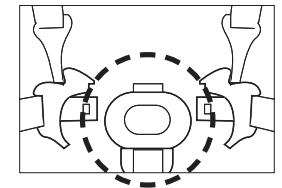
**01** Connect the safety belts on both sides by inserting them into the center buckle.



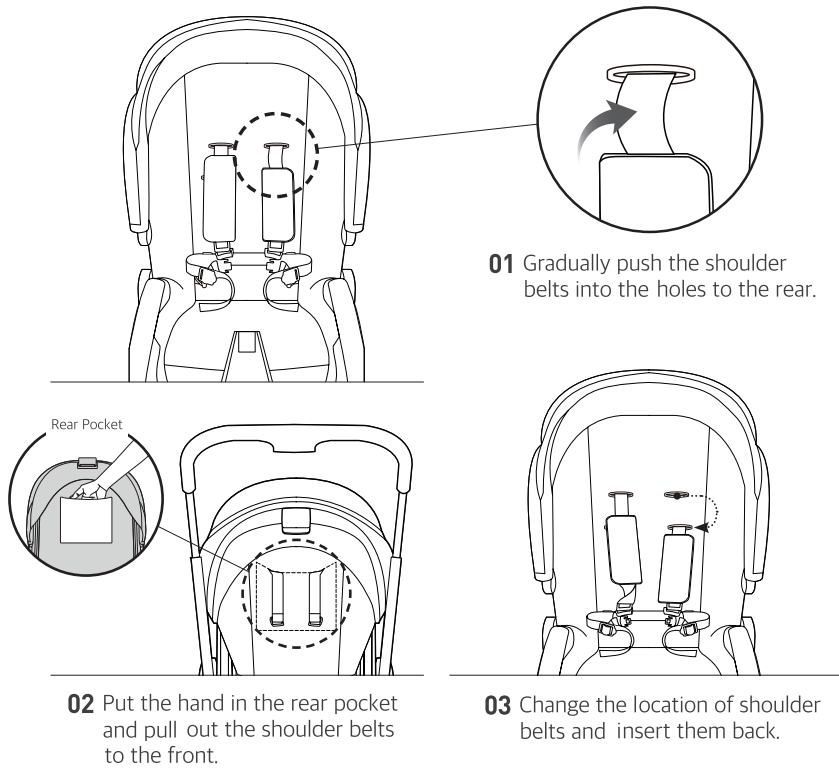
**02** After audible "click", check if the buckles are firmly fixed.



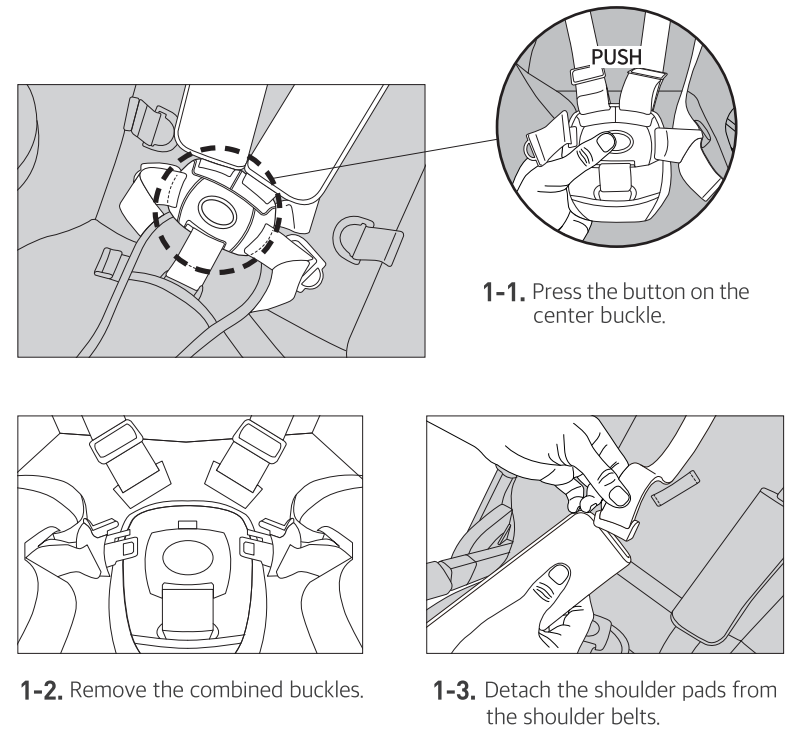
**03** Press the center button to release the buckles.



☑ **Shoulder Belts Detachment**  
(Change the location of the shoulder belts)



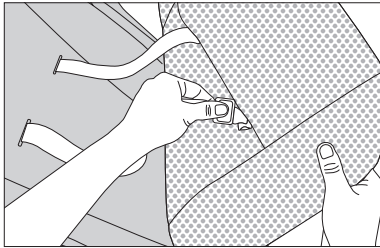
☑ **Fitting the Inner Seat** 1. Release the Buckles



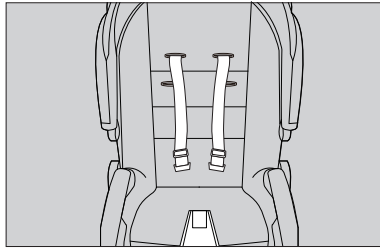
Fitting the Inner Seat

2. Combine with the Shoulder Belts

**2-1.** Pull out the shoulder belt through the upper holes of the inner seat from the rear.



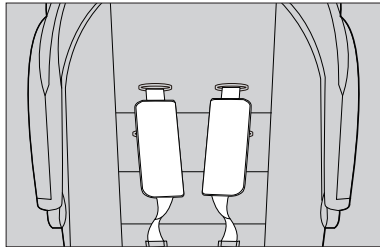
**2-2.** Do the same for the other side.



**2-3.** Fit and combine the shoulder belts into the shoulder pads.

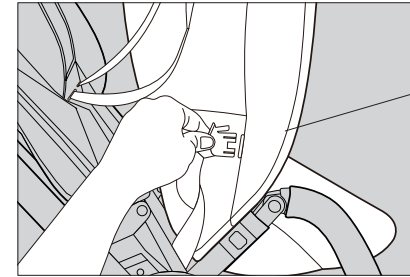


**2-4.** Do the same for the other side.

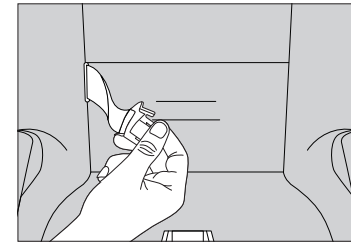


Fitting the Inner Seat

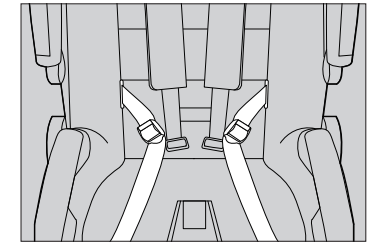
3. Combine with Waist Belts



**3-1.** Push the waist belt into the side hole of the inner seat from the rear.



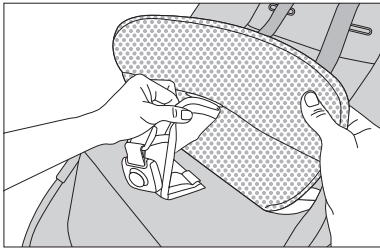
**3-2.** Pull out the waist belt at the front.



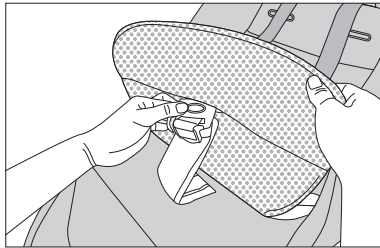
**3-3.** Do the same for the other side.

 **Fitting the Inner Seat** 4. Combine the Buckles

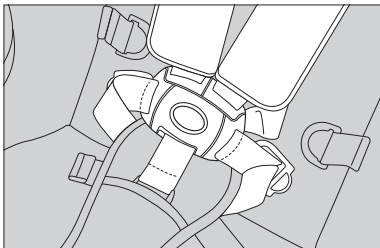
**4-1.** Push the buckle pad into the buckle hole of the inner seat from the rear.



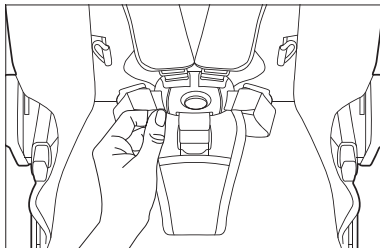
**4-2.** Pull out the buckle through the buckle hole of the inner seat.




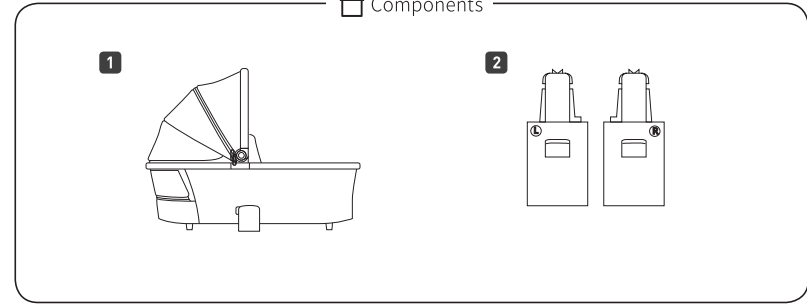
**4-3.** After fitting, the buckle set will be as the picture shown below.



**4-4.** Combine the buckles with the center buckle, and ensure the belts are not tangled.



 Components



**1** ..... Carrycot x 1

**2** ..... Adapter x 2

Laundry Precautions



- Wash in 30°C water temperature
- Soft hand wash available
- Use neutral detergent



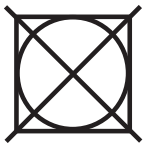
• Do NOT Bleach



• Do NOT iron



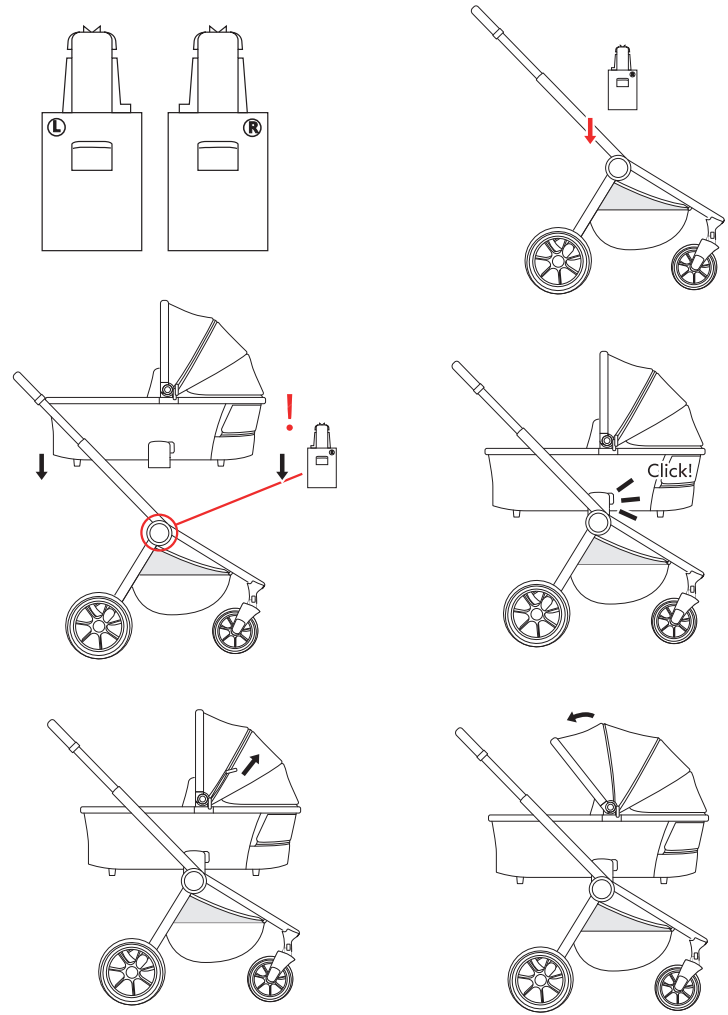
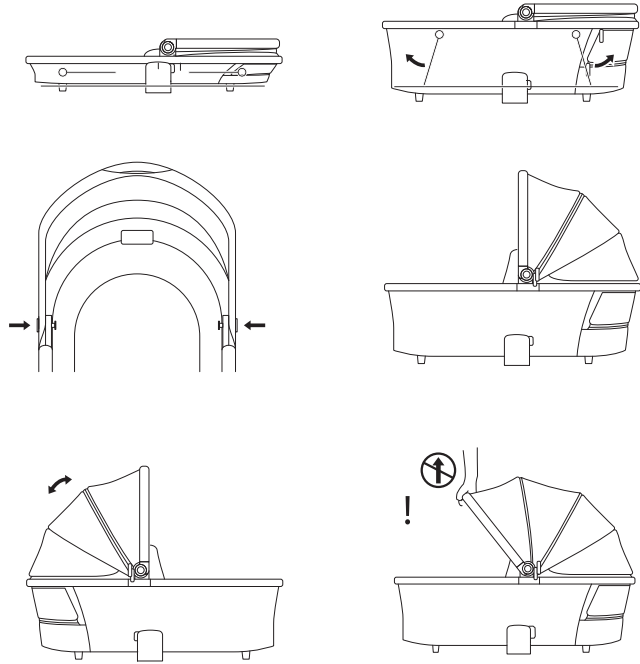
• Do NOT dry clean

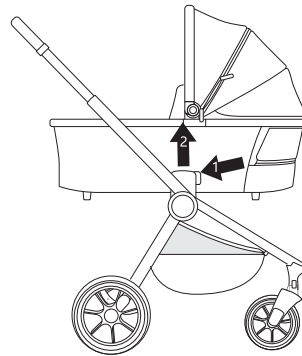
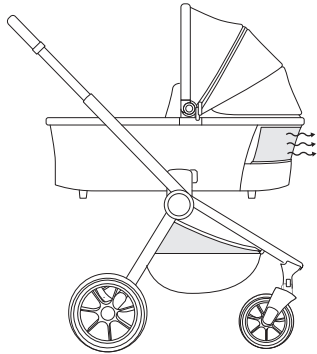
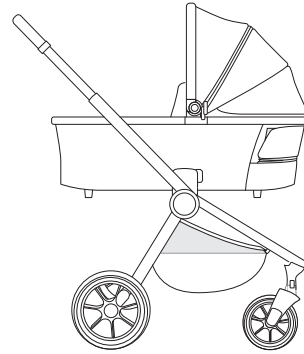


• Do not tumble dry

## Assembling of the carrycot

**!** The product can be used **ONLY** for babies who cannot sit or stand unaided (Under 6 months approx. Never use the products for babies who may raise itself by its hands or knees) Must **NOT** use the product when the baby is able to sit unaided Recommended time for continuous use is 1 hour





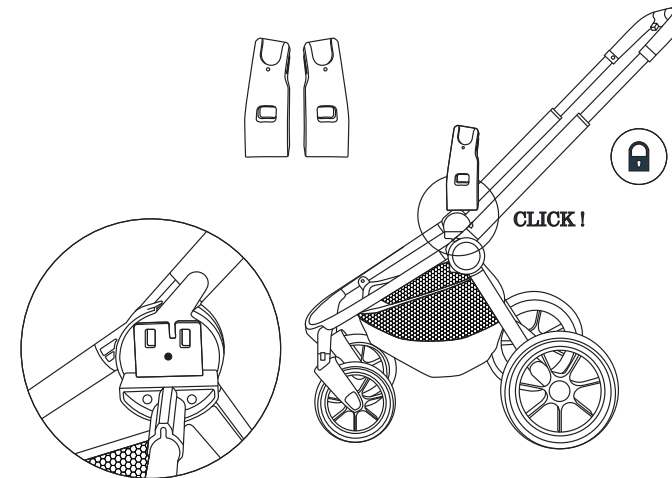
## BEFORE USE, CAREFULLY READ THESE INSTRUCTIONS AND KEEP THEM FOR FUTURE USE.

Before use, carefully read these instructions and keep them for future use. If you do not follow the instructions in this guide, this may pose a safety risk to your child.

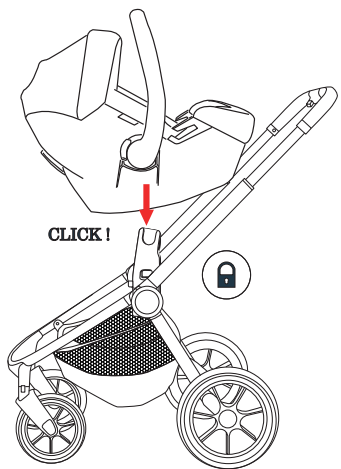
### WARNING:

- Never use accessories or replacement parts which are not approved by the manufacturer.
- Wipe the frame clean using a moist cloth.
- Do not use abrasive or aggressive cleaning products and bleaches.

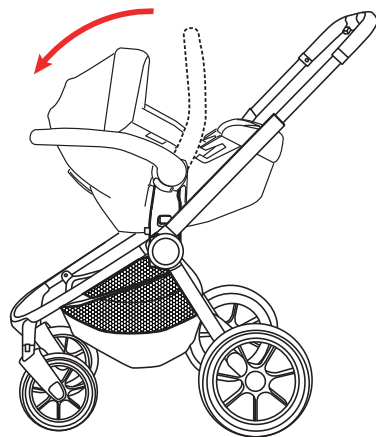
To assemble the car seat



1a. Remove the seat unit from the classis to fit the adapters. Line up the adapters with classis housing and press downwards for both sides. Listen for a "click" to signal correct assembly.



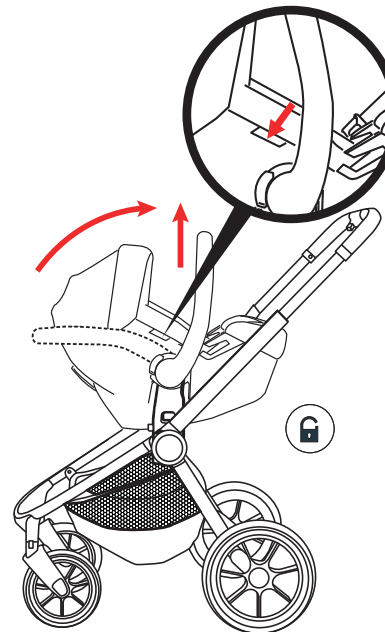
1b. Place the car seat onto the adapters. Push down to "click" into place. Lift by handle to ensure car seat is secure. Alternatively, attach the adapters to the car seat first and then attach the car seat to the classis.



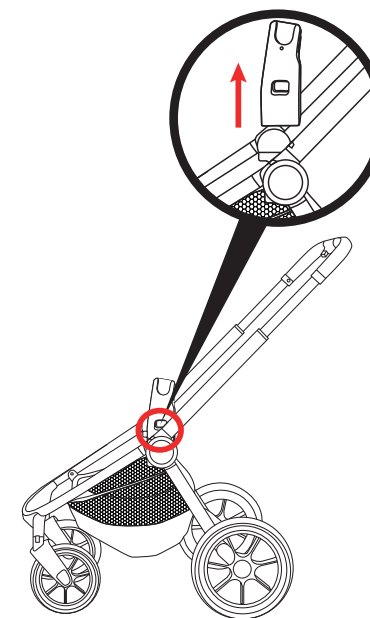
1c. Press the adjuster button located at the side of end handle bar to adjust the handle

**WARNING! Never attach the car seat forward facing.**

To remove the car seat



2a. Press the adjuster button located at side of end handle bar to upright position. Press the button located on the side of the car seat and pull upwards to remove.



2b. Lift lever both sides of the adapters to remove the adapters from the classis.

☑ Dimension Info



STROLLER LENGTH	96 CM	FOLDABLE LENGTH	37 CM
STROLLER WIDTH	57 CM	FOLDABLE WIDTH	57 CM
STROLLER HEIGHT	106 CM	FOLDABLE HEIGHT	65 CM
WEIGHT	11,79 KGS		

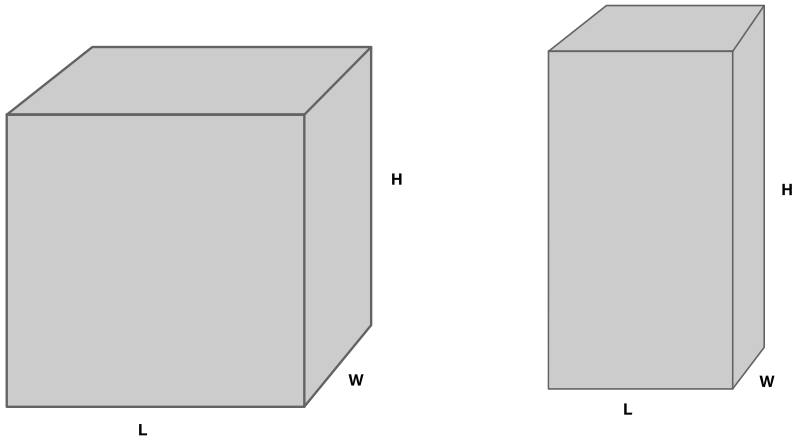
☑ Dimension Info



CARRY COT LENGTH	85 CM
CARRY COT WIDTH	43 CM
CARRY COT HEIGHT	63 CM
CARRY COT WEIGHT	4,2 KGS



Dimension Info



STROLLER CARTON LENGTH 50.5 CM  
 STROLLER CARTON WIDTH 25 CM  
 STROLLER CARTON HEIGHT 65 CM

CARRY COT CARTON LENGTH 47.5 CM  
 CARRY COT CARTON WIDTH 14.5 CM  
 CARRY COT CARTON HEIGHT 89.5 CM

## SAFETY HINTS\INSTRUCTIONS OF USE \ WARRANTY & GAURANTEE GUIDELINES

- 1.Please read this User Guide thoroughly before using this product. If you are not sure on any point in this guide please consult with the sales person whom sold you this product or contact Chelino on 0118352520. Our offices hours are Monday to Thursday from 9:00 am to 13:00 pm and 14:00 pm to 16:30 pm and Fridays from 9:00 am to 12:00 pm and 14:00 pm to 16:30 pm. Our offices are closed on Saturdays, Sundays, Public holidays and for three weeks during the December/ January festive season. We are situated at 12 Kimberlite Road, Theta Ext, Booyens Reserve, 2091, Johannesburg, Gauteng, RSA.
- 2.To avoid suffocation or swallowing or any other illness, please keep all packaging which have been removed from parts wrapped in the box away from infants, toddlers, children or any other living being. Please carefully dispose of the unwanted packaging once this product is fully assembled and you are satisfied with your purchase.
- 3.Please make sure that you are entirely satisfied with your purchase before removing the warning card attached to this product and before using this product. Once the warning card has been removed and if this product has been used we will not accept the return of this product.
- 4.If you are not entirely satisfied with this product purchased, please disassemble this product and re-pack it in the original packaging and return it to the store you purchased it from together with the proof of purchase. Depending on the stores policy, you will either be entitled to a replacement product, a credit voucher or a refund. This depends on the stores policies.
- 5.If you are not entirely satisfied with the assemble of this product or if you are not 100% sure that you have assembled this product correctly, please take this product back to the store you purchased it from and request for some assistance in checking if the assembly is correct or get this product assembled. Depending on the store's policy, there could be an extra charge for this service. Chelino will not take any responsibility if this product is incorrectly assembled thus causing any sort of injury to the user or the child. Alternatively you can contact Chelino directly on 0118352520, our offices hours are Monday to Thursday from 9:00 am to 13:00 pm and 14:00 to 16:30 pm and Fridays from 9:00 am to 12:00 pm and 14:00 pm to 16:30 pm. Our offices are closed on Saturdays, Sundays, Public holidays and for three weeks during the December/ January festive season. There is a charge for the assembly of any product. If you require a Chelino representative to assemble this product you will have to bring this product to our offices which are situated at 12 Kimberlite Road, Theta Ext, Booyens Reserve, 2091, Johannesburg, Gauteng, RSA.
- 6.Please note, that any repair which will needs to be made to this product must be done at the Chelino workshop which is situated at 12 Kimberlite Road, Theta Ext, Booyens Reserve, 2091, Johannesburg, Gauteng, RSA. Our offices hours are Monday to Thursday from 9:00 am to 13:00 pm and 14:00 pm to 16:30 pm and Fridays from 9:00 am to 12:00 pm and 14:00 pm to 16:30 pm. Our offices are closed on Saturdays, Sundays, Public holidays and for three weeks during the December/ January festive season.We do not provide any loan\courtesy products while your product has been sent in for repairs. Chelino requires 7 working days to repair any product, but this lead time may vary depending on the transportation of the product too and from yourself. Once the warranty card is detached from this product and once this product is used even if used once and if there is a fault, this product will need to be sent to the Chelino Workshop for the repair and no refund\credit\exchange will be allowed. Only a Chelino representative can decide whether the product needs to be replaced\credited\exchanged.
- 7.Once you are satisfied with the assembly of this product and have read this instruction and agree to the terms stated and are ready to use this product, please ensure that all safety locks are engaged to ensure safe use of this product.

