



LOW RIDER INSTRUCTION MANUAL

Multifunctional Tricycle



Read all instructions before assembly and use of the tricycle.

Keep instructions for future use.

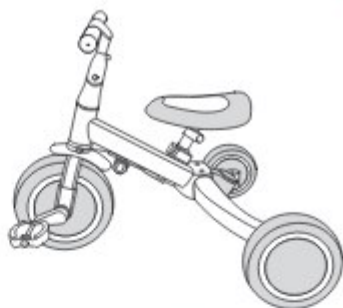
The child may be hurt if you do not follow these instructions.

**IMPORTANT! KEEP FOR FUTURE REFERENCE.
WARNING! TO BE ASSEMBLED BY AN ADULT!**

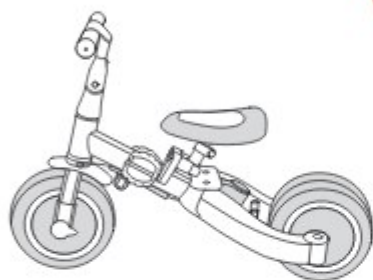
(1)



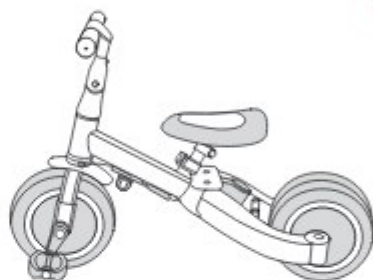
(2)



(3)



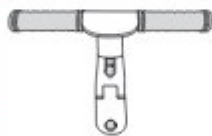
(4)



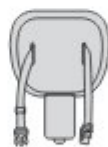
A



B



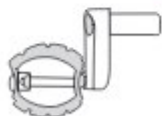
C



D



E



F



G



H



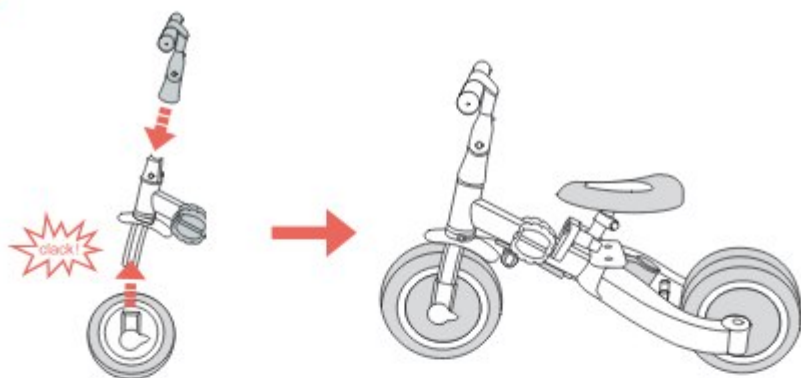
I



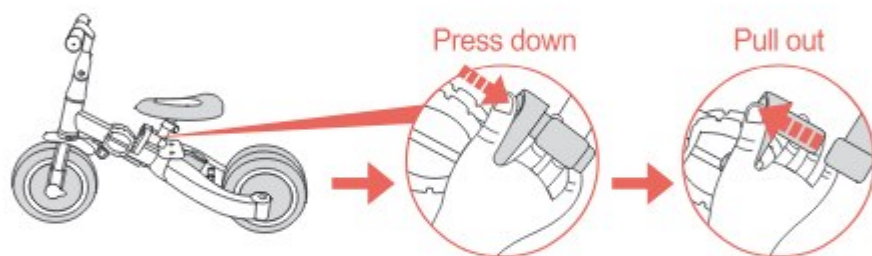
Plastic ring only for tricycle pushing mode.



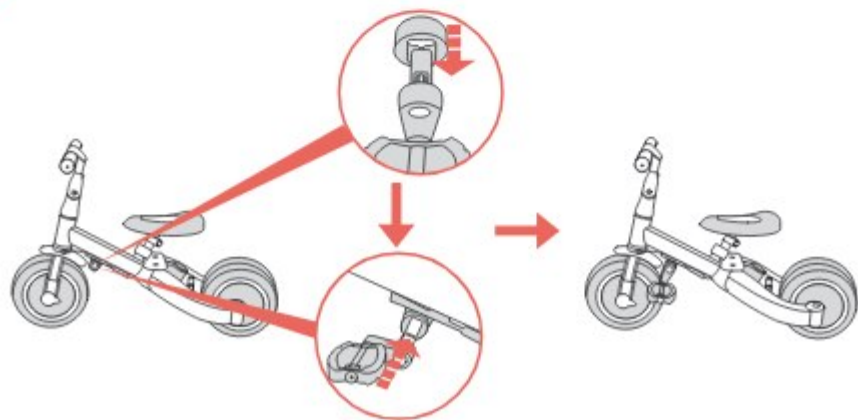
1



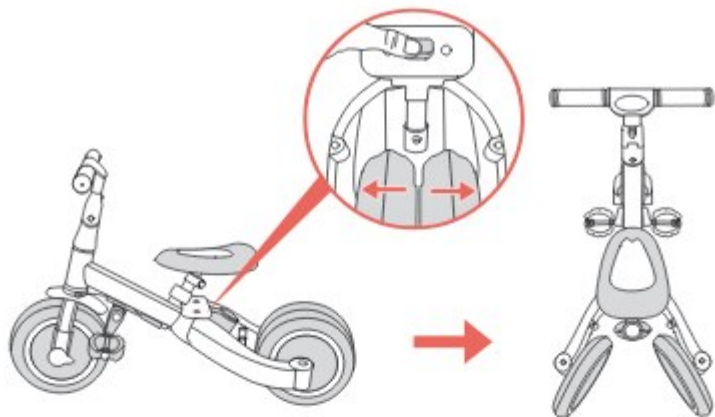
2



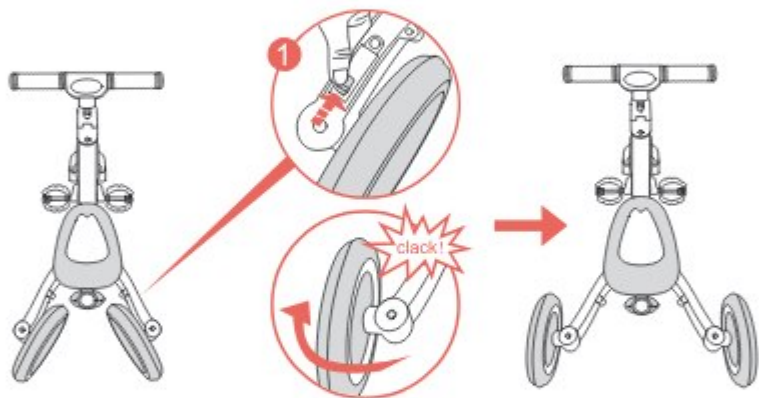
3



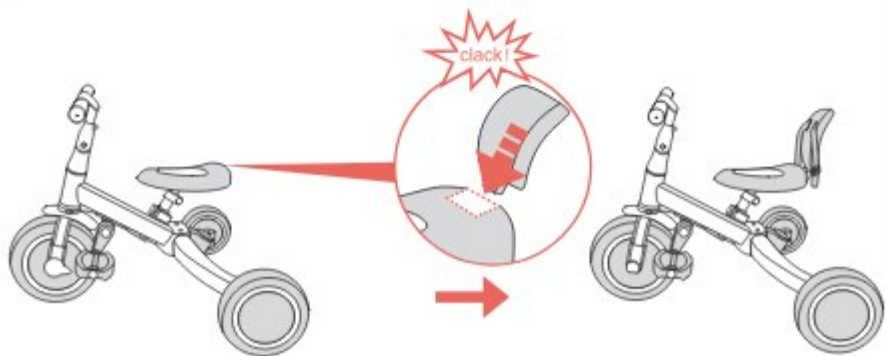
4



5



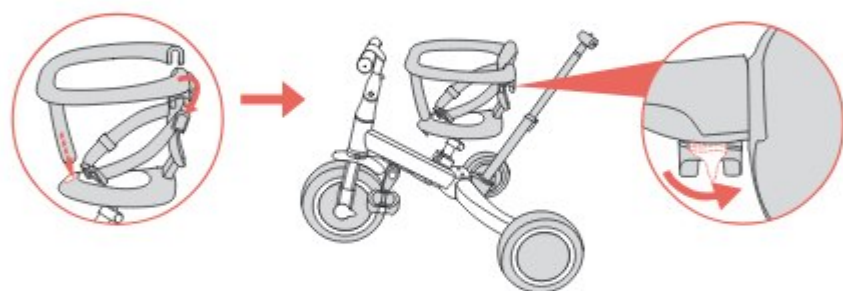
6



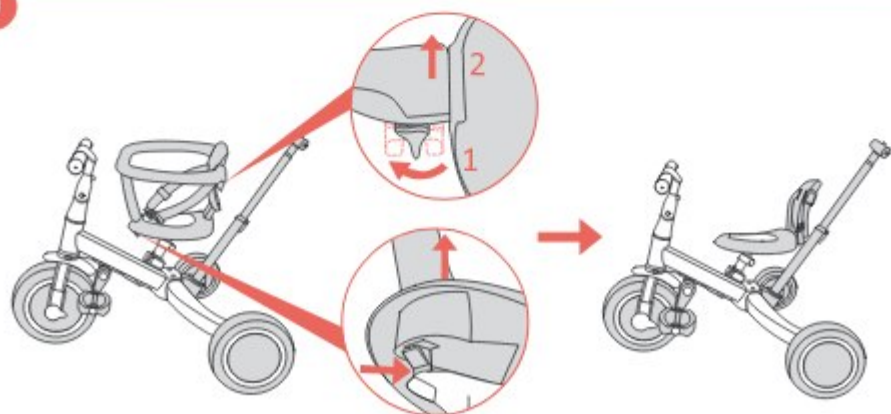
7



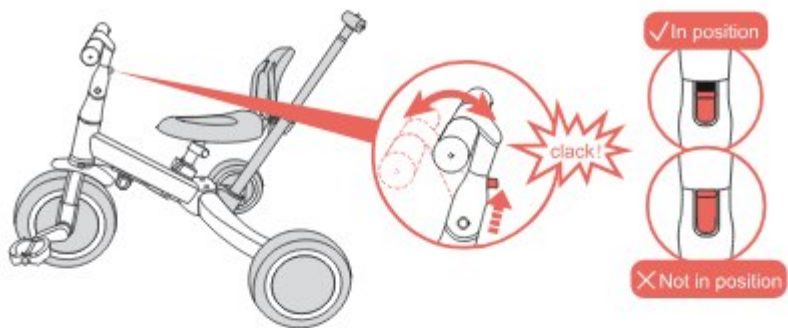
8



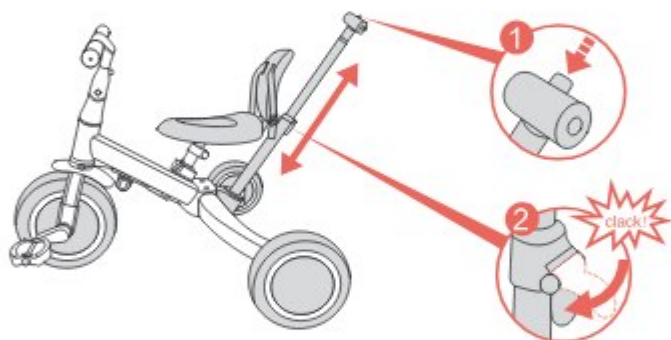
9



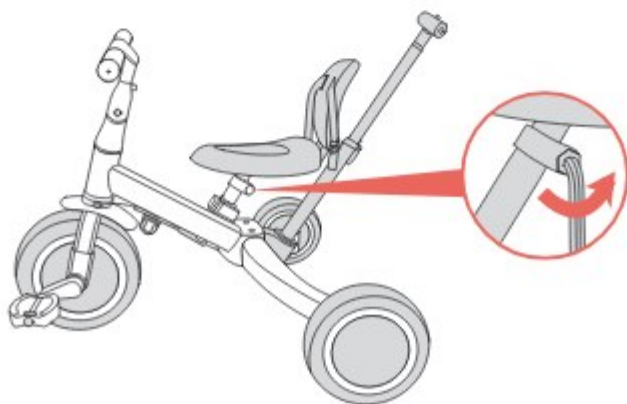
10



11



12



WARNING

Read the instructions carefully before use and keep them for future reference. The child may be hurt if you do not follow these instructions. Before using, remove and dispose of any plastic bags and other packaging (e. g fasteners, fixing ties, etc.) and keep them out of reach of children.

- Suggestion usage for balance bike: Let your child sit on the balance bike with their hands on the handlebar grips and slowly control the bike from left to right while pedalling forward. With practice, your child will understand the movement and get comfortable riding the balance bike independently.
- Suggestion usage for tricycle: Let your child sit on the tricycle with their hands on the handlebar grips and feet on two pedals and slowly control the tricycle from left to right while going forward. With practice, your child will understand the movement and get comfortable riding the tricycle independently.
- Please use with caution since skill is required to avoid falls or collisions causing injury to the user or third parties.
- This bike is suitable for children from 1.5-5 years old, it's not intended for children under 1.5 years old.
- It's not suitable for children weighing more than 25KGS.
- Avoid storing this product in a humid, cold or hot environment.
- Avoid collision with other hard objects.
- It is dangerous if the parts are not installed correctly.
- Never leave child unattended. Always keep child in view.
- Guard all fires, heating and cooking appliances.
- Do not use on the highway as means of transportation.

Product Care and Maintenance

In order to ensure safe use, this product must be regularly maintained.

- When cleaning the bike, please wipe it with a dry cotton cloth. For a large amount of mud, rinse it with water and wipe it off with a cotton cloth as soon as possible.
- For the rotating parts of the product, such as axles, handlebar shafts, etc., solid grease (or anti-rust lubricant spray) should be added regularly to improve product life.
- Check regularly for loose screws and parts wear. If necessary, repair and replace damaged parts in time.
- When storing and transporting this product, disassemble the product according to the steps described in the manual, and wrap it with shock-proof materials (such as cloth, paper, foam film), and package.

4 Modes of Multifunctional tricycle

Please read the instructions carefully and install the tricycle into the suitable mode according to the baby's age

- (1) Tricycle Pushing Mode (1.5-2 Years) (2) Tricycle Mode (2-3 Years)
(3) Balance Bike Mode (3-4 Years) (4) Bike Mode (4-5 Years)

Parts List

- A. Body B. Handlebar C. Backrest D. Guard
E. 2 pedals F. Pushing Bar G. Screwdriver H. Plastic ring I. Front wheel

Assembling Procedures

1. Insert in the handlebar and make sure it is in place.
2. Press down the button and pull out the pedals.
3. Insert the pedals on the sockets of body. Kindly noted the small ring should be applied when the pedal inserted to the body frame.
4. Press down the bottom button and take rear wheels apart.
5. Pull up the button firstly then rotate the rear wheel outward.
6. Insert backrest into the saddle and hear for a "clack" to make sure it is in place.
7. Insert pushing bar into the rear socket and hear for a "clack" to make sure it is in place.

⚠ WARNING When the tricycle is under sliding or pushing mode, the holes in front wheel must be covered by the stuffy covers.

8. First, insert the vertical bar into the front end of the saddle, and clamp both ends of the guard into the slot of the backrest. Finally, turn the knob to complete the installation.

How to remove guard

9. First, turn the knob as fig. shows, pull out the armrests on both sides upwards, then press stuck point at bottom of saddle, pull out the vertical bar to release the whole guard.

How to Adjust Handlebar Angle

10. The angle of handbar can be adjusted accordingly to the kids' needs. When adjust the angle forward, pull up the button and push forward the handlebar at the same time, and then do remember to pull up the handbar a little bit until you heard "clack", which means this position locked. If you want to adjust the angle back straight, just pull up the button and pull back the handlebar, it will be ok.

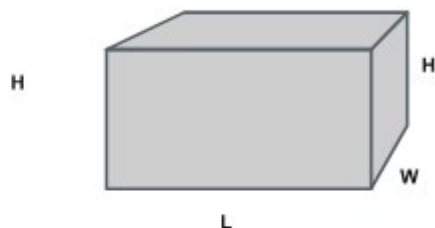
How to Adjust Height of Pushing Bar

11. Firstly pull up the safety lock button in the middle of the pushing bar, then press down the button in the middle of handle, at the same time push the pushing bar down to reduce the height, or pull it up to extend the height of the pushing bar. There're 3-height adjustments. When adjust the height completed, press the safety lock button to avoid the shaking of the pushing bar.

How to Adjust the Seat Height

12. Loosen the screw with a screwdriver to adjust the height, then tighten the screws. Make sure it's tight!

Dimension Info



BABY RIDER LENGTH	69 CM	CARTON LENGTH	68.5 CM
BABY RIDER WIDTH	45 CM	CARTON WIDTH	17.5 CM
BABY RIDER HEIGHT	86 CM	CARTON HEIGHT	31.5 CM

BABY RIDER WEIGHT 5.6 KGS

Due to variation on the styles and designs of our products, the photographs and illustrations shown in this manual are generic. Therefore products fabric, colour and design may vary from images shown, Chelino reserves the right to alter products specifications .

ChelinoBaby®

Stores: ChelinoBaby – Ormonde – JHB
ChelinoBaby – Fourways – JHB
ChelinoBaby – Woodmead Square – JHB
ChelinoBaby – Greenstone – JHB
ChelinoBaby – Centurion – Pretoria
ChelinoBaby – Menlyn – Pretoria
ChelinoBaby – Kolonnade – Pretoria
ChelinoBaby – Gateway – Durban
ChelinoBaby – Cavendish Square – Cape Town
ChelinoBaby – Nelspruit – Mpumalanga
ChelinoBaby – Online – www.chelinobaby.co.za



Imported for :

ChelinoBaby Group of Companies.

No. 12 Kimberlite Road , Theta Ext 5 ,
Booyens Reserve , JHB , 2091. SA.

Tel: +2711 8352520

Info: info@chelino.co.za